

PiDRAM

An FPGA-based Framework for End-to-end Evaluation of Processing-in-DRAM Techniques

Ataberk Olgun

Juan Gomez Luna Konstantinos Kanellopoulos Behzad Salami

Hasan Hassan Oğuz Ergin Onur Mutlu

SAFARI

ETH zürich

 **kasirga**



TOBB ETÜ
University of Economics & Technology

Executive Summary

Motivation: Commodity DRAM based PiM techniques improve the performance and energy efficiency of computing systems at no additional DRAM hardware cost

Problem: Challenges of integrating these PiM techniques into real systems are not solved. General-purpose computing systems, special-purpose testing platforms, and system simulators *cannot* be used to efficiently study system integration challenges

Goal: Design and implement a flexible framework that can be used to:

- solve system integration challenges
- analyze trade-offs of end-to-end implementations of commodity DRAM-based-PiM techniques

Key idea: PiDRAM, an FPGA-based framework that enables:

- system integration studies
- end-to-end evaluations of PiM techniques using real unmodified DRAM chips

Evaluation: End-to-end integration of two PiM techniques on PiDRAM's FPGA prototype

Case Study #1 – RowClone: In-DRAM bulk data copy operations

- 119x speedup for copy operations compared to CPU-copy with system support
- 198 lines of Verilog and 565 lines of C++ code over PiDRAM's flexible codebase

Case Study #2 – D-RaNGe: DRAM-based random number generation technique

- 8.30 Mb/s true random number generator (TRNG) throughput, 220 ns TRNG latency
- 190 lines of Verilog and 78 lines of C++ code over PiDRAM's flexible codebase

Outline

Background

Commodity DRAM Based PiM Techniques

PiDRAM

Overview

Hardware & Software Components

FPGA Prototype

Case Studies

Case Study #1 – RowClone

Case Study #2 – D-RaNGe

Conclusion

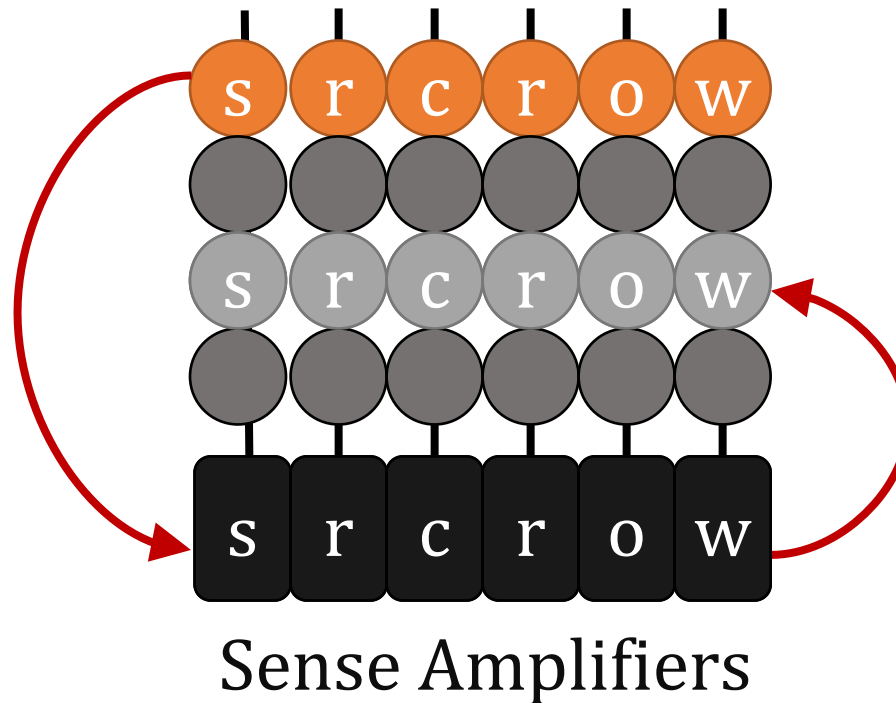
Processing-in-Memory Techniques

Use operational principles of memory to perform bulk data movement and computation

Commodity DRAM chips can already perform:

- 1) Row-copy:** In-DRAM bulk data copy (or initialization) at DRAM row granularity
[Gao+, MICRO'19]-[Gao+, MICRO'22]
(e.g., [Kim+, HPCA'19]-[Olgun+, ISCA'21])
- 2) True random number generation**
(e.g., [Kim+, HPCA'18])
- 3) Physical uncloneable functions**
(e.g., [Kim+, HPCA'18])
- 4) Majority operation**
[Gao+, MICRO'19]-[Gao+, MICRO'22]

Row-Copy: Key Idea (RowClone)



1. Source row to sense amplifiers



2. Sense amplifiers to destination row

RowClone in Real DRAM Chips

Key Idea: Use carefully created DRAM command sequences

- ACT → PRE → ACT command sequence with greatly reduced DRAM timing parameters
- ComputeDRAM [Gao+, MICRO'19] demonstrates in-DRAM copy operations in real DDR3 chips

Standard
DRAM Timings



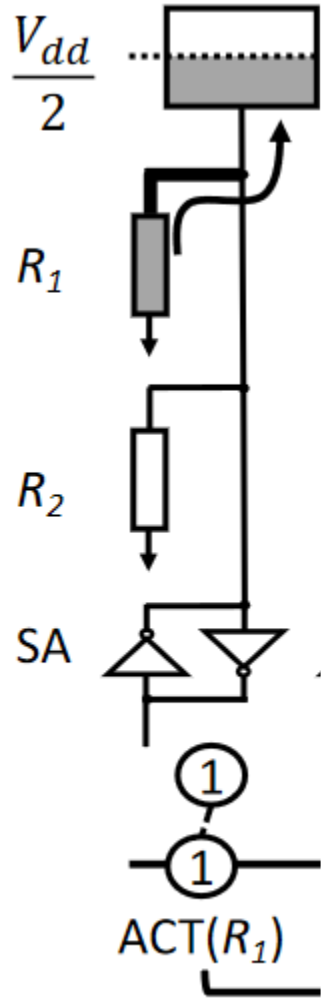
“activate row S, precharge, then activate row D”

Violated
DRAM Timings



“activate row S, then activate row D”

Row-copy in ComputeDRAM



More in ComputeDRAM

ComputeDRAM: In-Memory Compute Using Off-the-Shelf DRAMs

Fei Gao

feig@princeton.edu

Department of Electrical Engineering
Princeton University

Georgios Tziantzioulis

georgios.tziantzioulis@princeton.edu

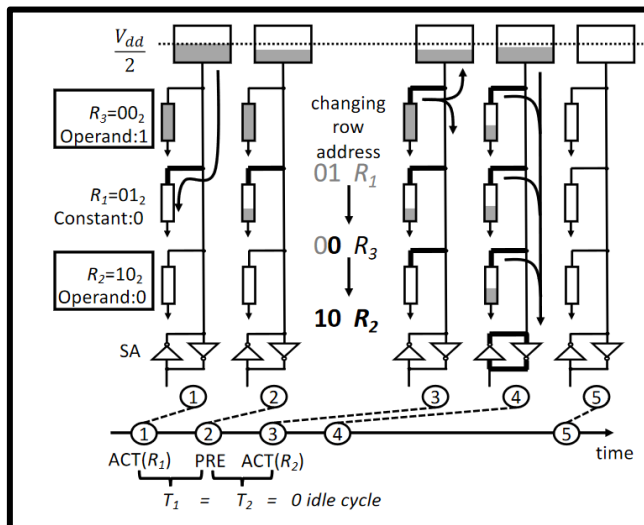
Department of Electrical Engineering
Princeton University

David Wentzlaff

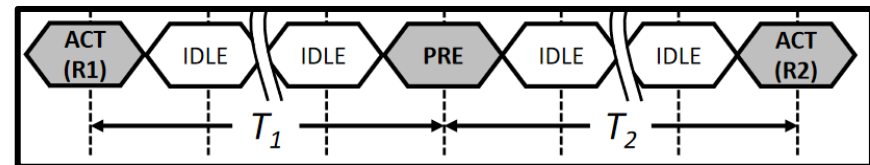
wentzlaf@princeton.edu

Department of Electrical Engineering
Princeton University

Majority Function



Row-copy/Majority Characterization



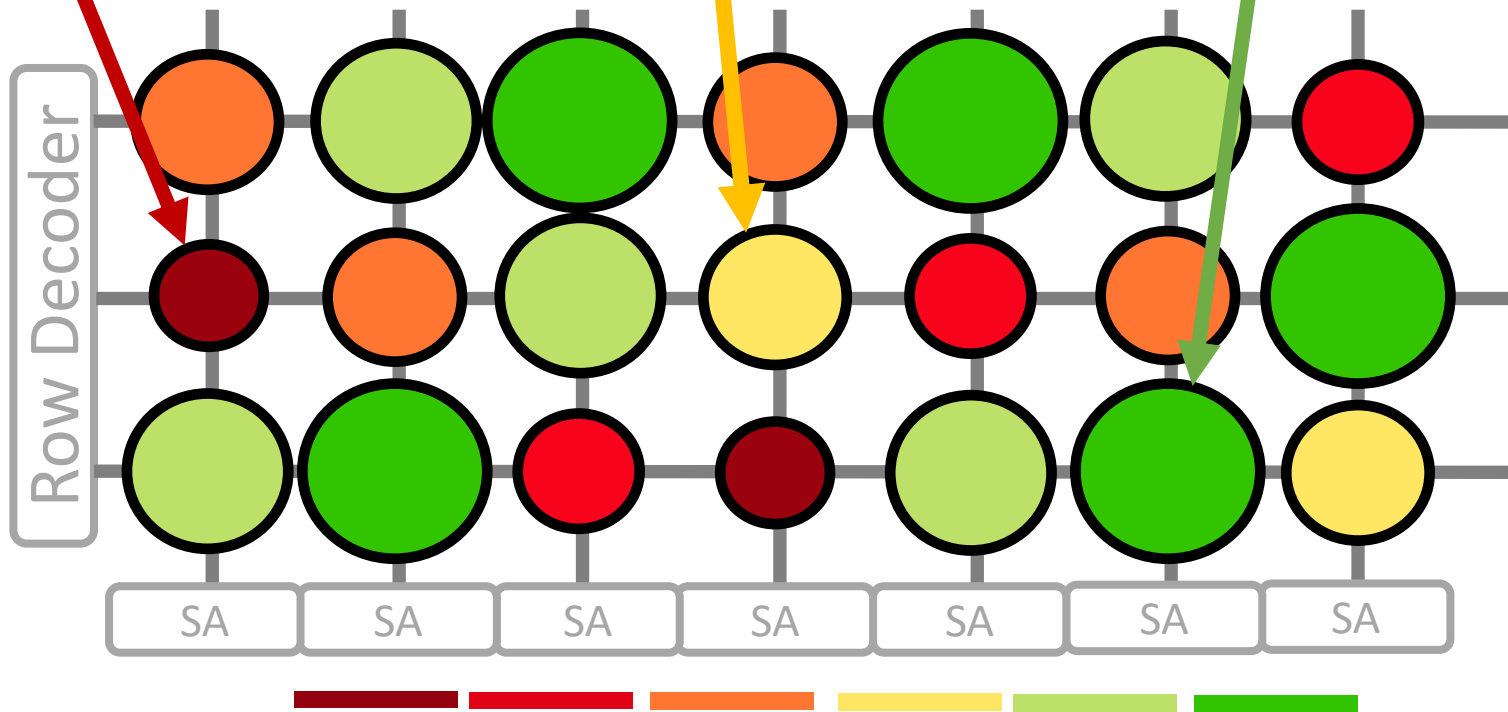
32 DDR3 Modules
~256 DRAM Chips

In-DRAM TRNG: Key Idea (D-RaNGe)

High % chance to fail with reduced access latency

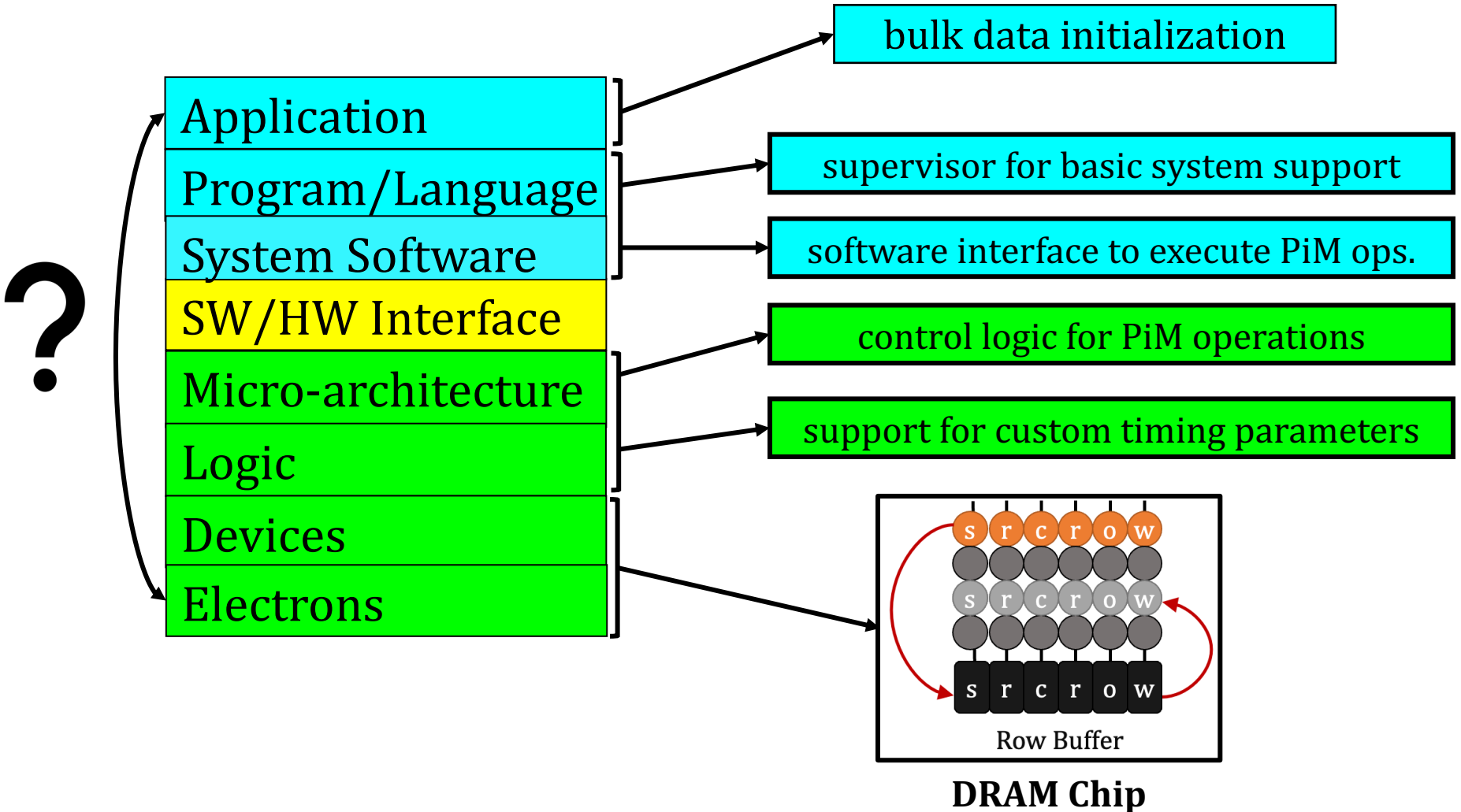
50% chance to fail

Low % chance to fail with reduced access latency



Commodity DRAM chips can *already* perform D-RaNGe

System Support for PiM



PiDRAM

Bridge the “system gap”
with customizable
HW/SW components

in doing so,
allow users to

rapidly implement PiM techniques,
solve system integration challenges,
analyze end-to-end implementations

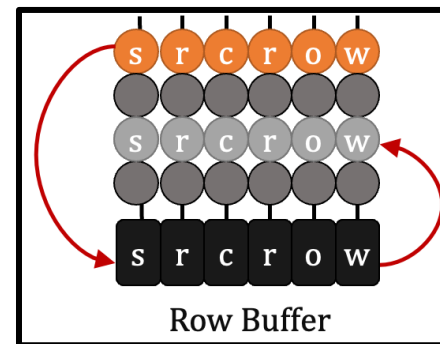
bulk data initialization

supervisor for basic system support

software interface to execute PiM ops.

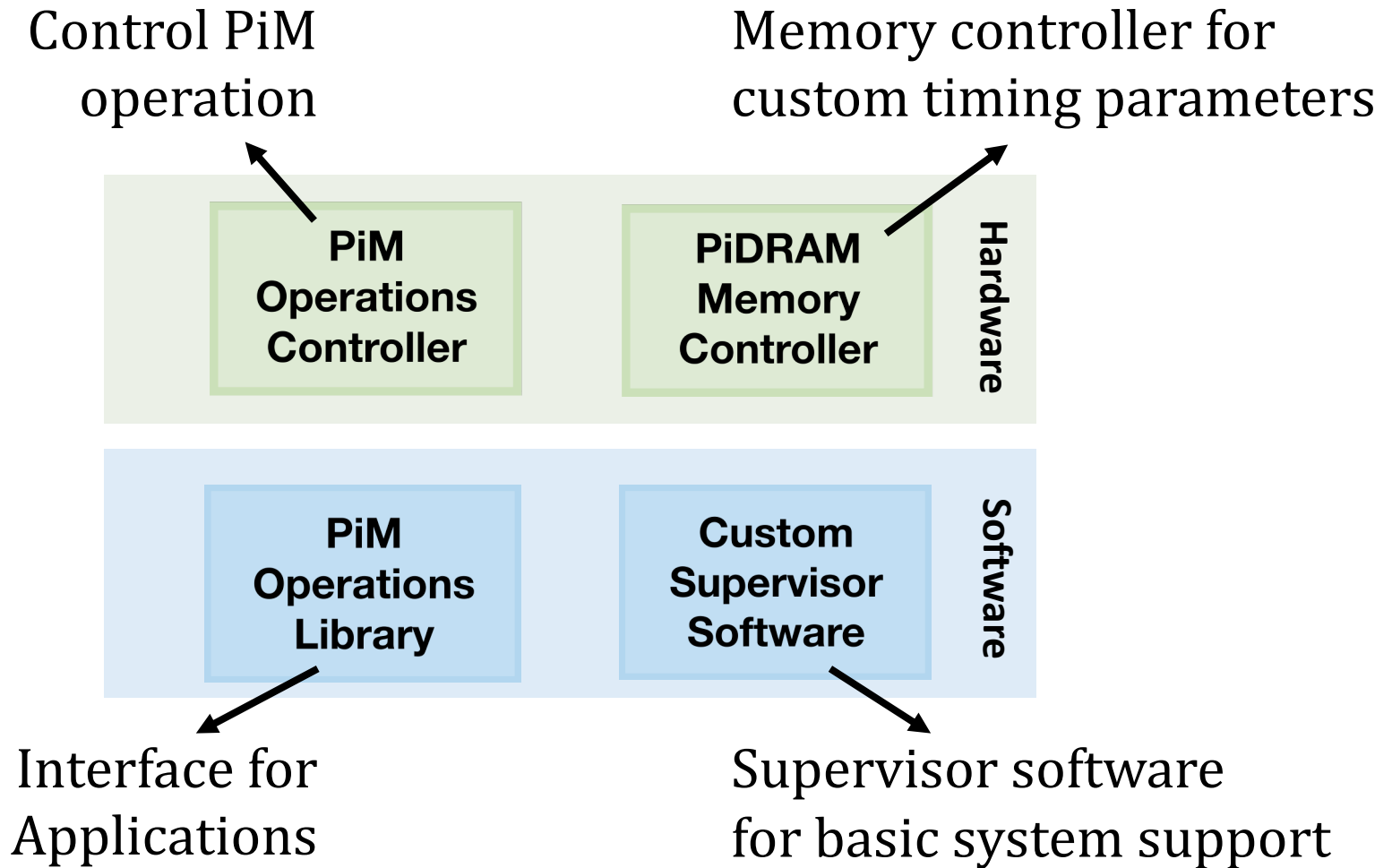
control logic for PiM operations

support for custom timing parameters



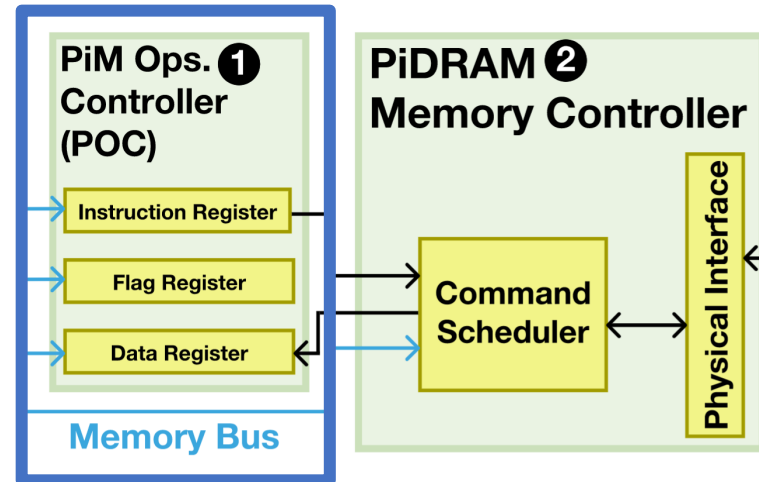
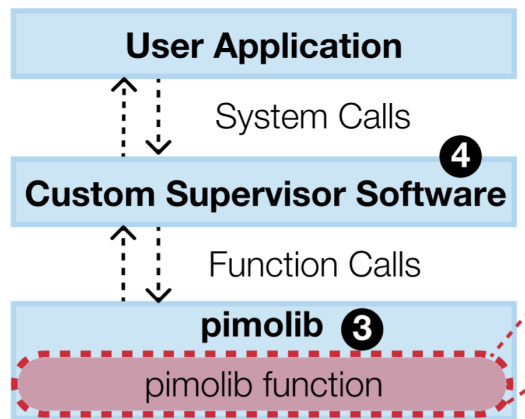
DRAM Chip

PiDRAM: Key Components



PiDRAM: System Design

Key components attached to a **real computing system**

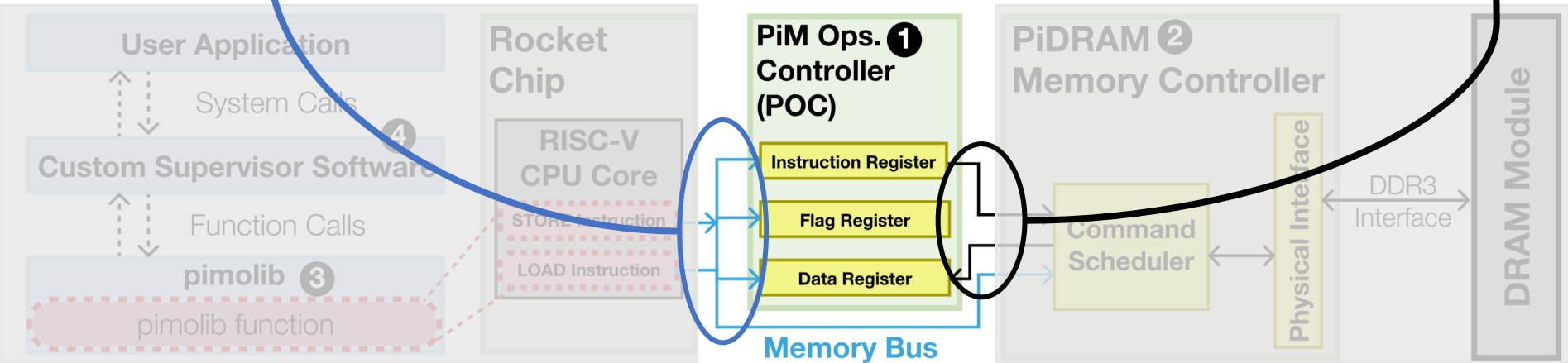


PiM Operations Controller (POC)

Decode & execute PiDRAM instructions (e.g., in-DRAM copy)

Receive instructions over memory-mapped interface

Simple interface to the PiDRAM memory controller
(i) send request, (ii) wait until completion, (iii) read results



PiDRAM Memory Controller

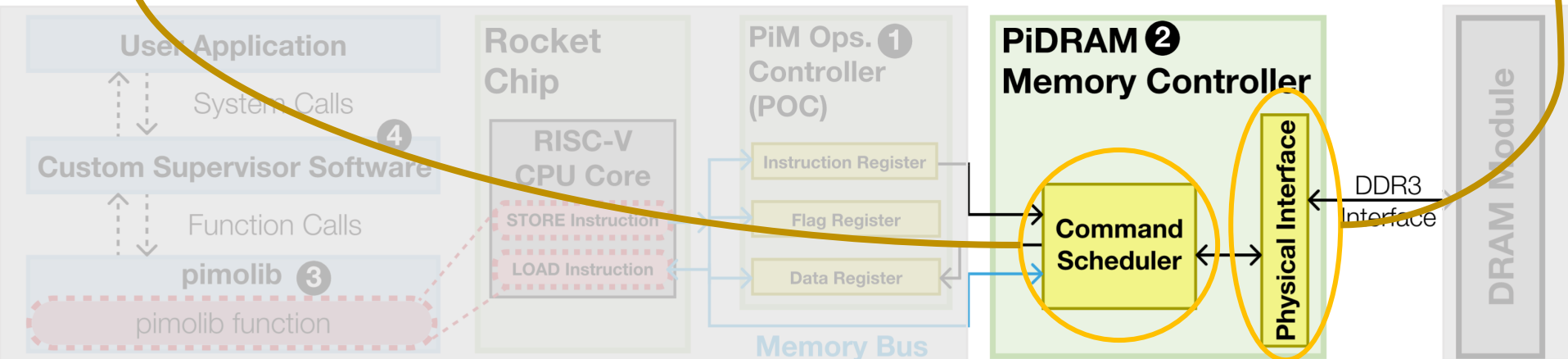
Perform PiM operations by violating DRAM timing parameters

Support conventional memory operations (e.g., LOAD/STORE)
One state machine per operation (e.g., LOAD/STORE, in-DRAM copy)



Easily replicate a state machine to implement a new operation

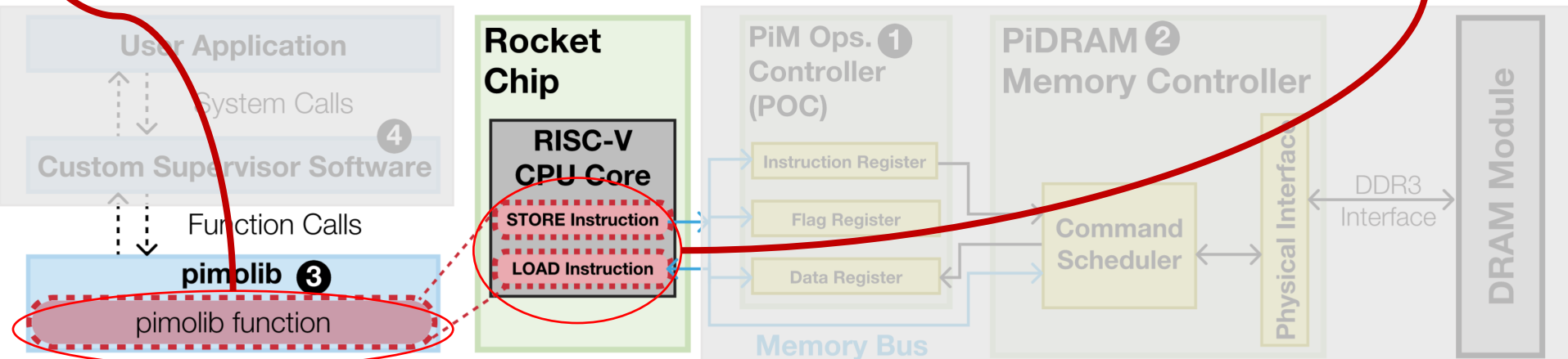
Controls the physical DDR3 interface
Receives commands from command scheduler & operates DDR3 pins



PiM Operations Library (pimolib)

Contains customizable functions that interface with the POC
Software interface for performing PiM operations

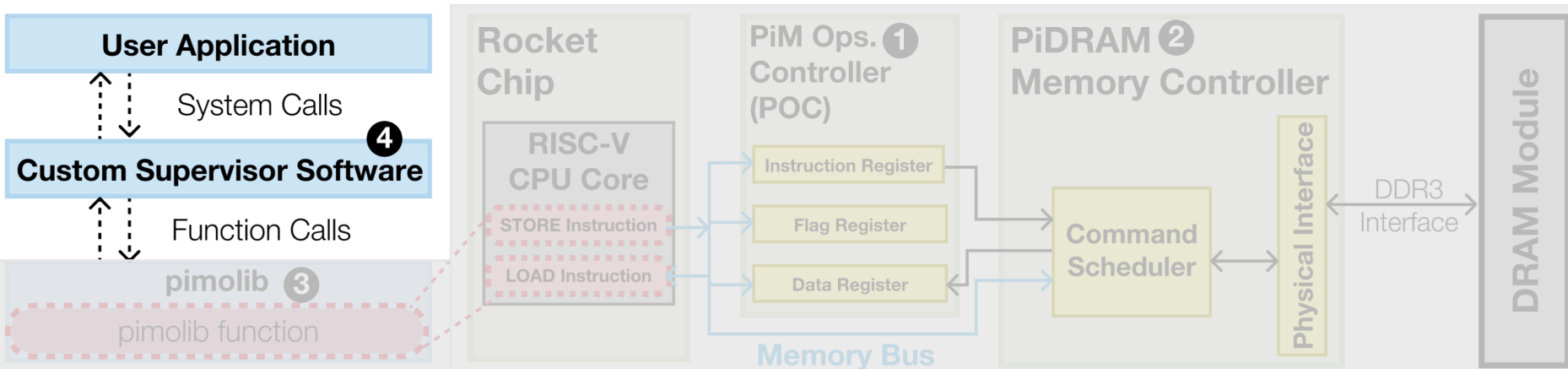
Executes LOAD & STORE requests to communicate with the POC



Custom Supervisor Software

Exposes PiM operations to the user application via system calls

Contains the necessary OS primitives to develop end-to-end PiM techniques (e.g., memory management and allocation for RowClone)



PiM Operation Execution Flow

`Copy ()` function called by the user to perform a **RowClone-Copy** operation in DRAM

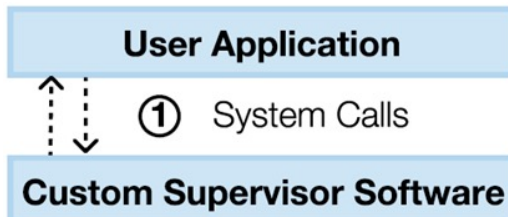
① Application makes a system call: **Copy (A, B, N bytes)**

② Custom Supervisor Software calls the **Copy ()** pimolib function

Copy (S, D)

S: source DRAM row

D: destination DRAM row

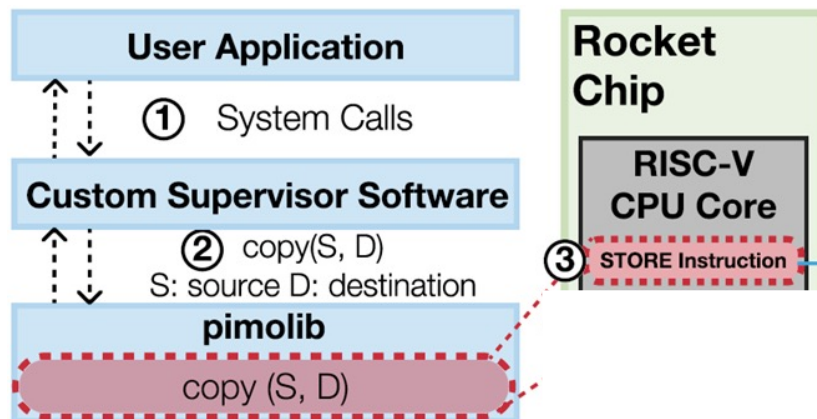


PiM Operation Execution Flow

- ③ Copy (S, D) executes two store instructions in the CPU
- ④ The first store updates the *instruction* register with Copy (S, D)
- ⑤ The second store sets the “Start” flag in the *flag* register

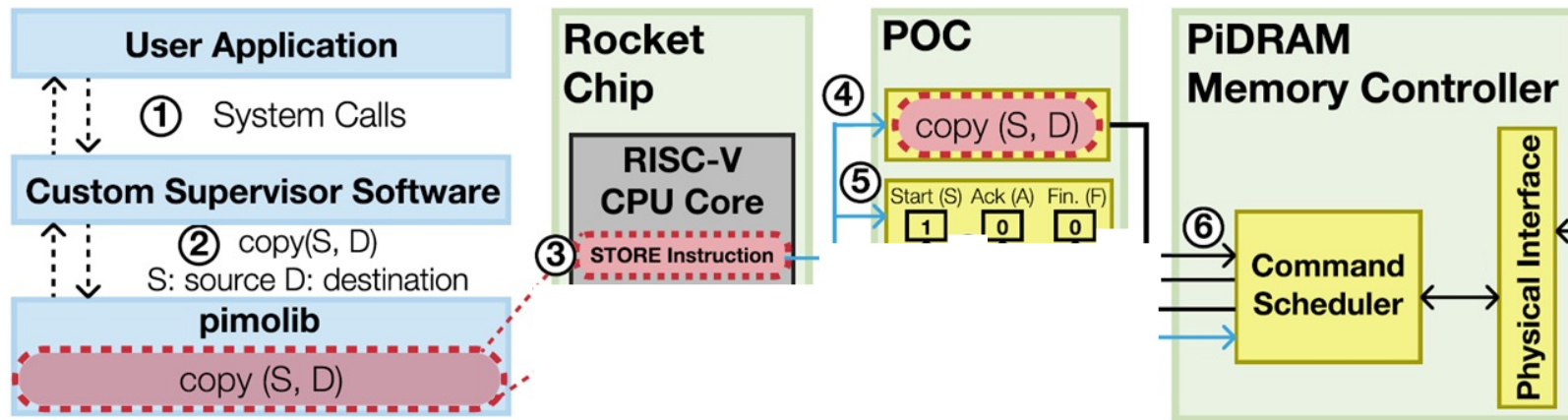
Start (S)

- ① Start the execution of PiM operation



PiM Operation Execution Flow

- ⑥ POC instructs the memory controller to perform RowClone
- ⑦ POC resets the “Start” flag, and sets the “Ack” flag
- ⑧ PiDRAM memory controller issues commands with violated timing parameters to the DDR3 module

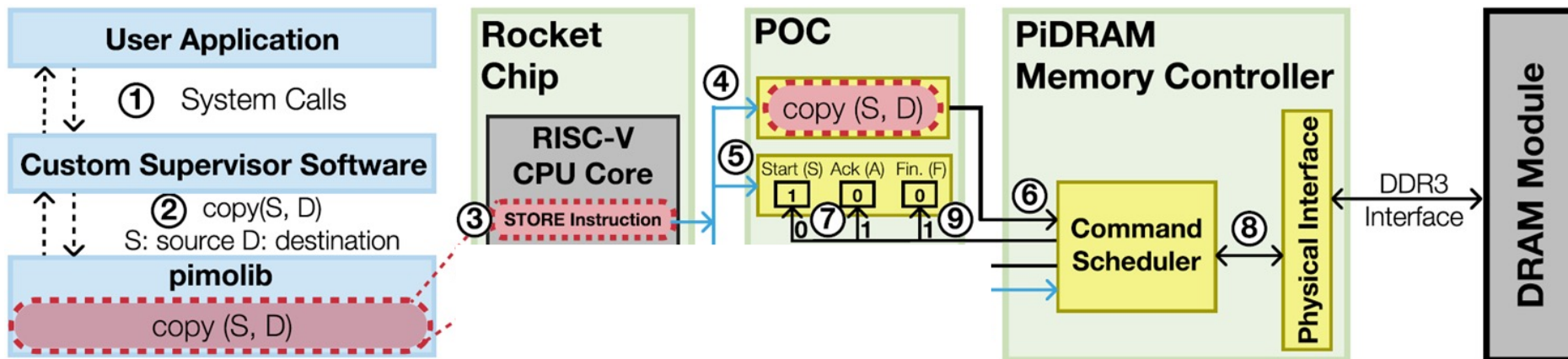


PiM Operation Execution Flow

⑨ The memory controller sets the “Fin.” flag

⑩ Copy (S, D) periodically checks either “Ack” or “Fin.” flags using LOAD instructions

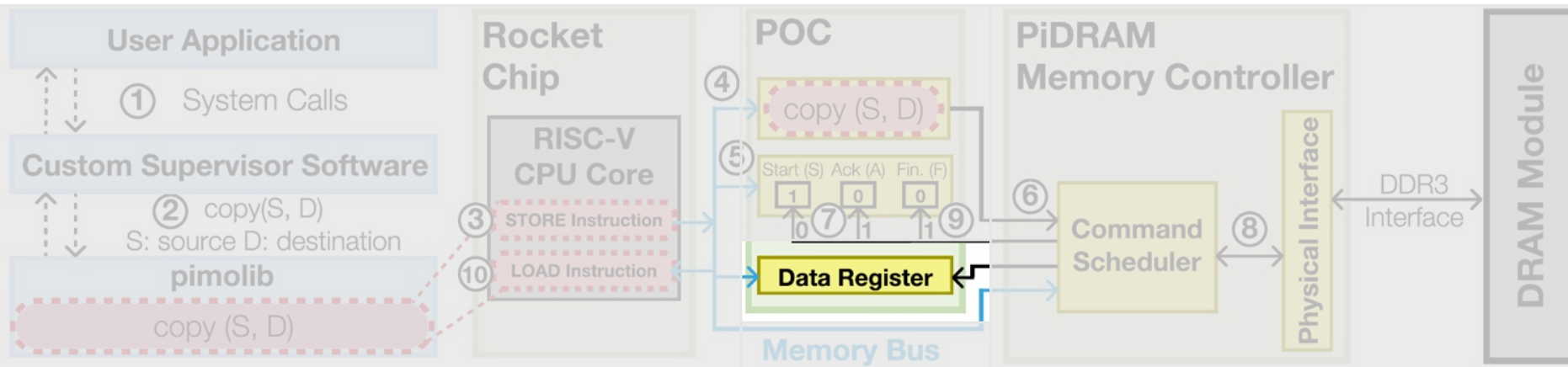
Copy (S, D) returns when the periodically checked flag is set



PiM Operation Execution Flow

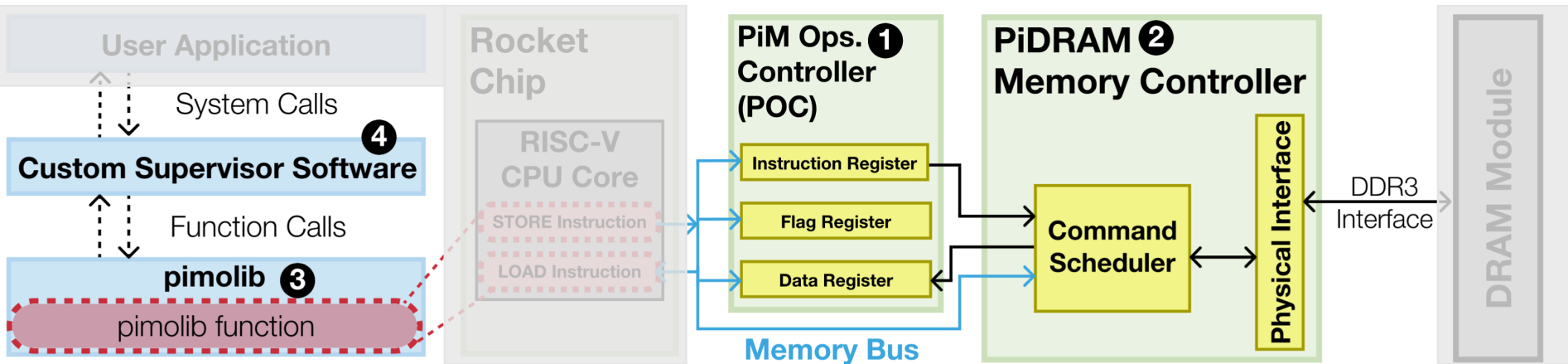
Data Register is not used in RowClone operations because the result is stored *in memory*

It is used to read true random numbers generated by D-RaNGe



PiDRAM Components Summary

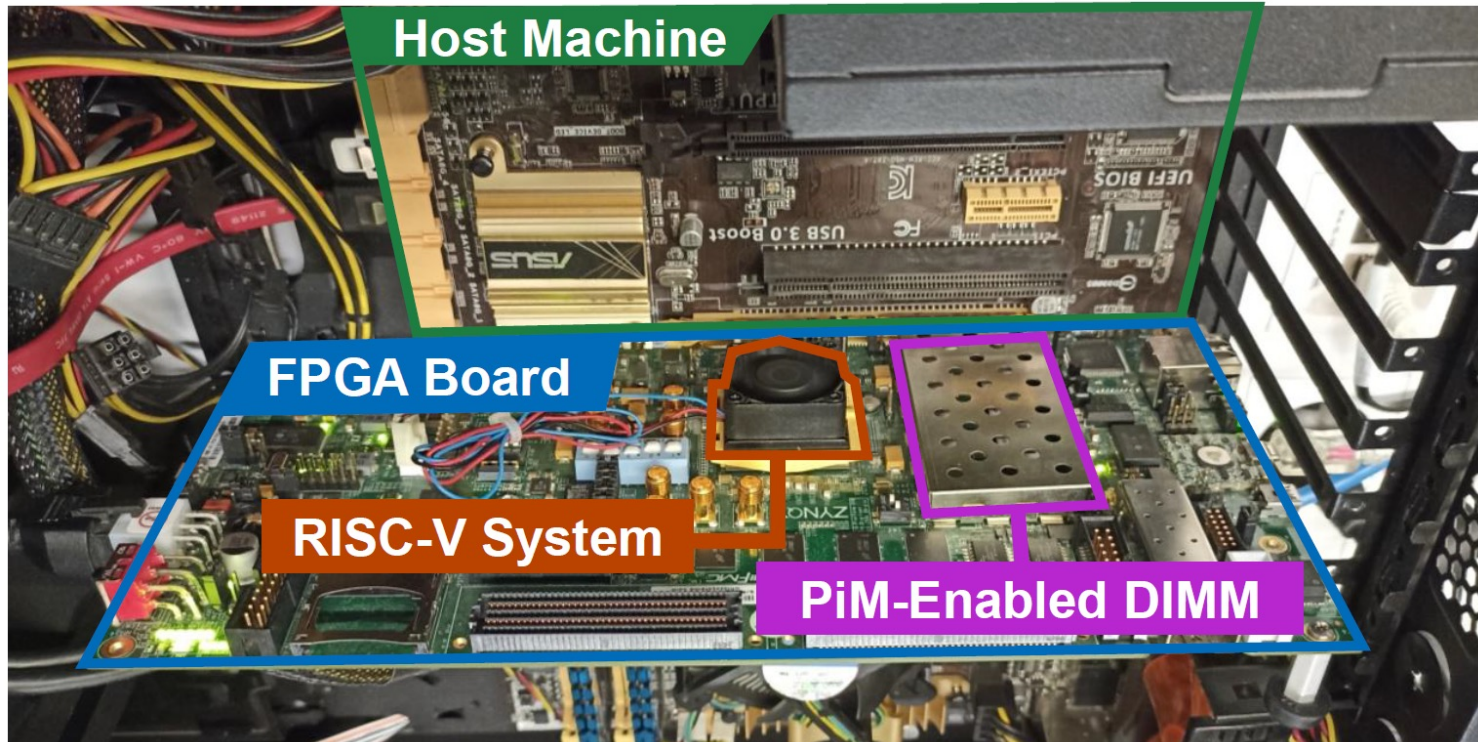
Four key components orchestrate PiM operation execution



PiDRAM's FPGA Prototype

Full system prototype on Xilinx ZC706 FPGA board

- **RISC-V System:** In-order, pipelined RISC-V Rocket CPU core, L1D/I\$, TLB
- **PiM-Enabled DIMM (Commodity):** Micron MT8JTF12864, 1 GiB, 8 banks



Outline

Background

DRAM Organization and Operation

Commodity DRAM Based PiM Techniques

PiDRAM

Overview

Hardware & Software Components

FPGA Prototype

Case Studies

Case Study #1 – RowClone

Case Study #2 – D-RaNGe

Conclusion

RowClone Implementation

Standard
DRAM Timings



*“activate row S, **precharge**, then activate row D”*

Violated
DRAM Timings



“activate row S, then activate row D”

- ① Extend the PiDRAM memory controller to support the DRAM command sequence
- ② Expose the operation to pimolib by implementing the `copy()` PiDRAM instruction

Only 198 lines of Verilog code

RowClone System Integration

Identify two **challenges** in end-to-end RowClone

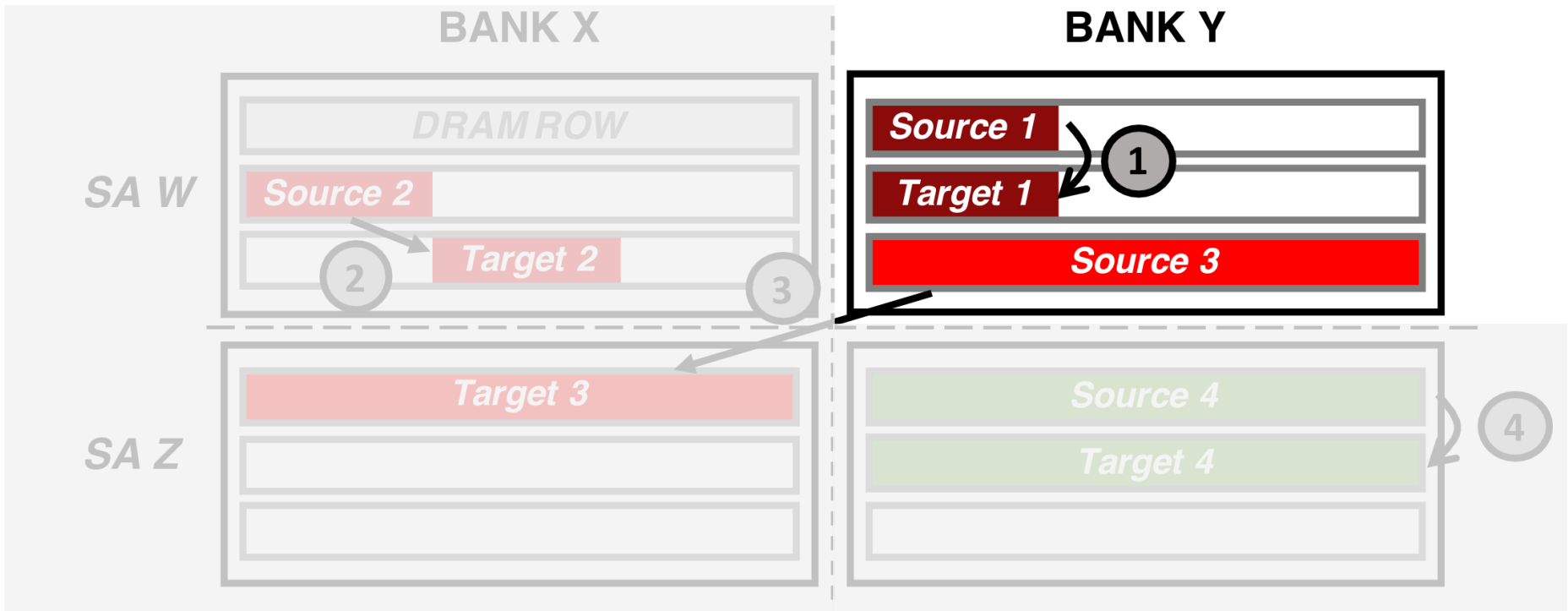
① Memory allocation (intra-subarray operation)

② Memory coherency (computation in DRAM)

Implement **CLFLUSH** instruction in the RISC-V CPU
Evict a cache block from the **CPU caches to the DRAM module**

RowClone Memory Allocation (I)

Memory allocation requirements

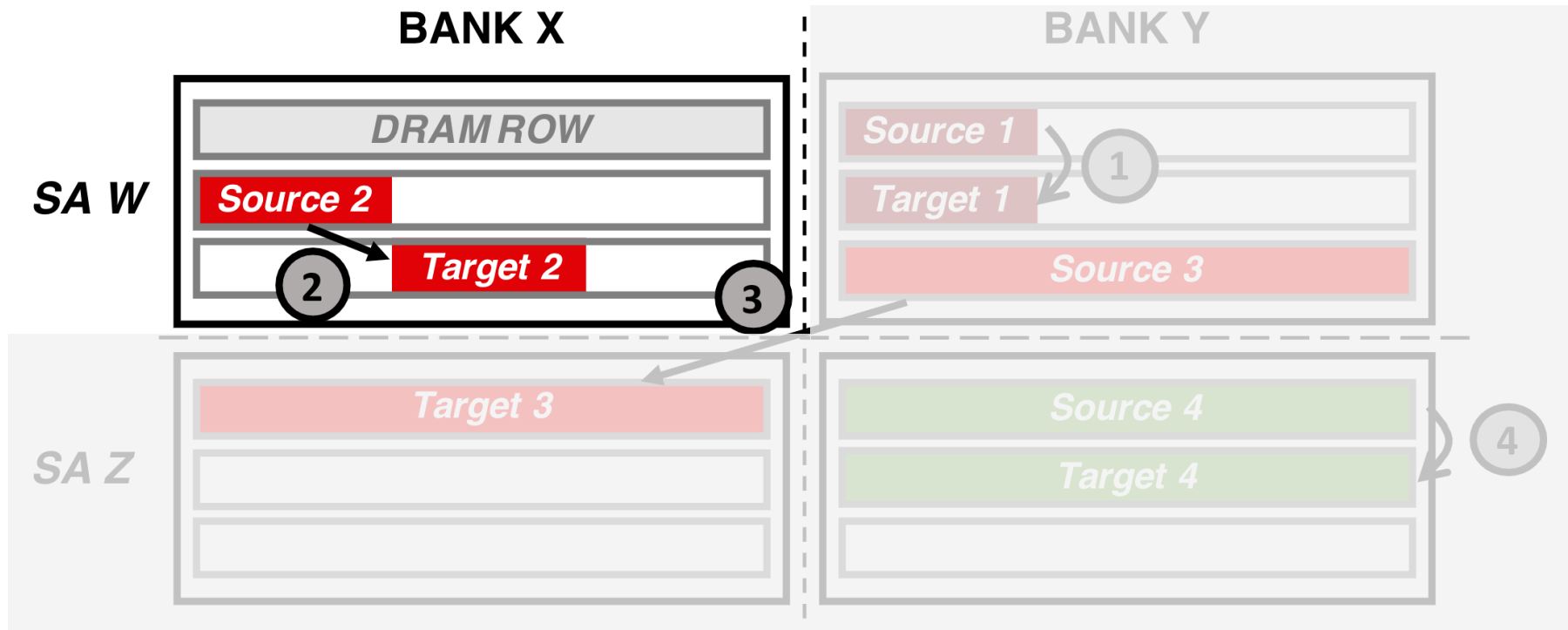


1

Granularity: Operands must occupy DRAM rows fully

RowClone Memory Allocation (I)

Memory allocation requirements

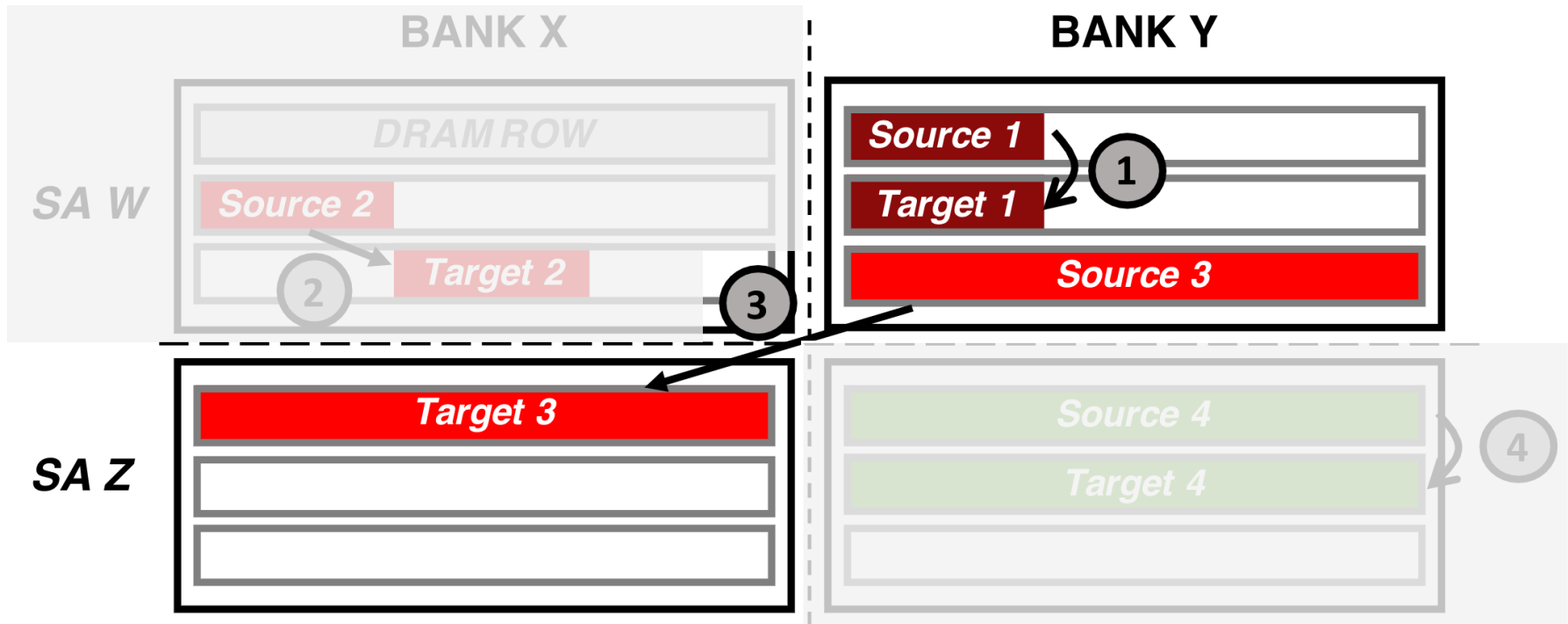


2

Alignment: Operands must be placed at the same offset

RowClone Memory Allocation (I)

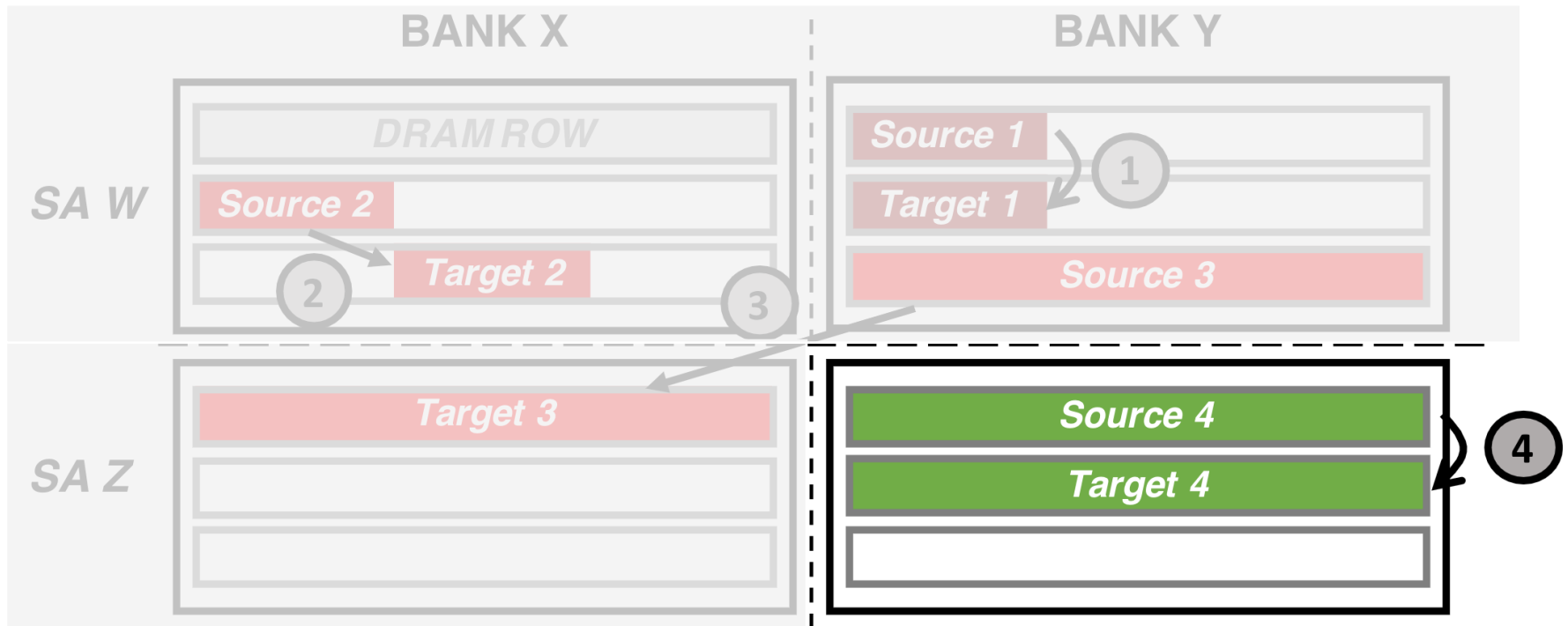
Memory allocation requirements



3 Mapping: Operands must be placed in the same subarray

RowClone Memory Allocation (I)

Memory allocation requirements



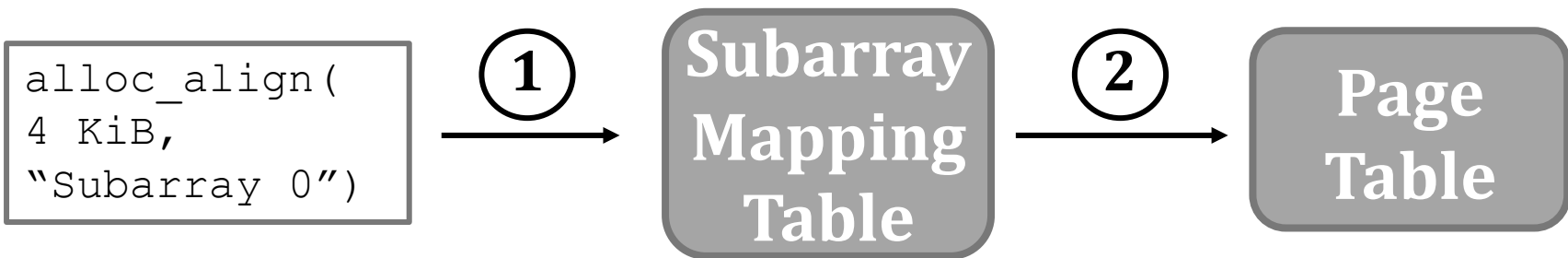
4 Satisfies all three requirements

RowClone Memory Allocation (II)

Implement a **new memory allocation function** to **overcome** the memory allocation challenges

Goal: Allocate **virtual memory pages** that are mapped to the same **DRAM subarray** and **aligned** with each other

```
virtual_address = alloc_align(int size, int id)  
    size: # of bytes allocated  
    id: allocations with the same id go to the same subarray
```



- ① Get **physical address** pointing to a **DRAM row in subarray 0**
- ② Update the **page table** to **map virtual address** to subarray 0

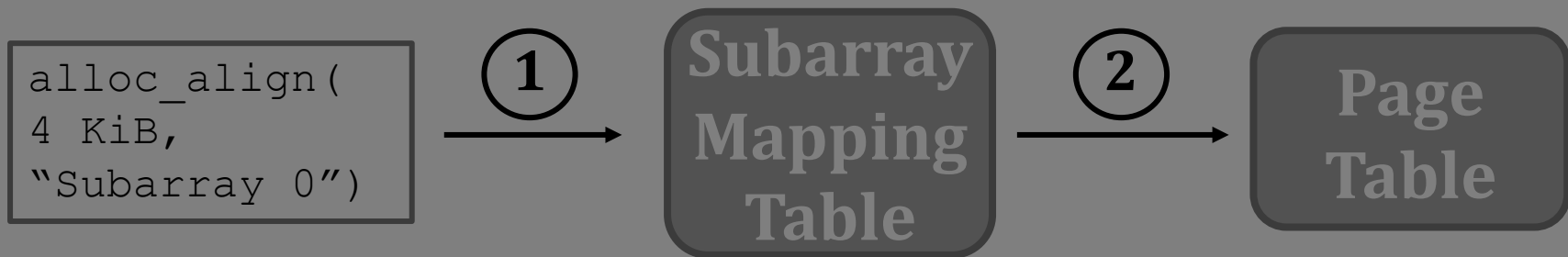
RowClone Memory Allocation (II)

Implement a new memory allocation function

<https://arxiv.org/abs/2111.00082>

Goal: Allocate virtual memory pages that are mapped to the same DRAM subarray and aligned with each other

```
virtual_address = alloc_align(int size, int id)
    size: # of bytes allocated
    id: allocations with the same id go to the same subarray
```



- 1 Get physical address pointing to a DRAM row in subarray 0
- 2 Update the page table to map virtual address to subarray 0

Evaluation: Methodology

Table 2: PiDRAM system configuration

CPU: 50 MHz; in-order Rocket core [16]; TLB 4 entries DTLB; LRU policy
L1 Data Cache: 16 KiB, 4-way; 64 B line; random replacement policy
DRAM Memory: 1 GiB DDR3; 800MT/s; single rank 8 KiB row size

in-DRAM copy/initialization
granularity

Microbenchmarks

CPU-Copy (using **LOAD/STORE** instructions)

RowClone-Copy (using **in-DRAM copy** operations) **with and without CLFLUSH**

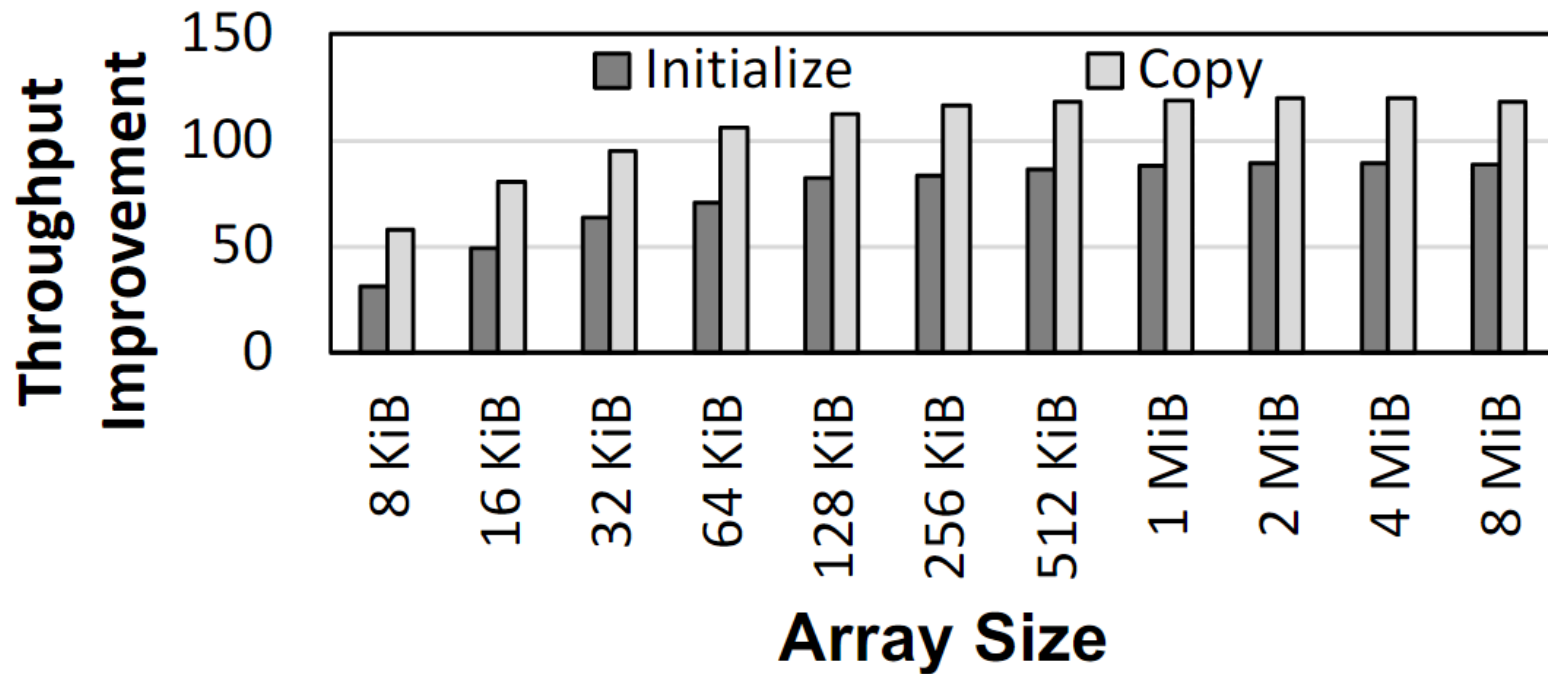
Copy/Initialization Heavy Workloads

forkbench (copy)

compile (initialization)

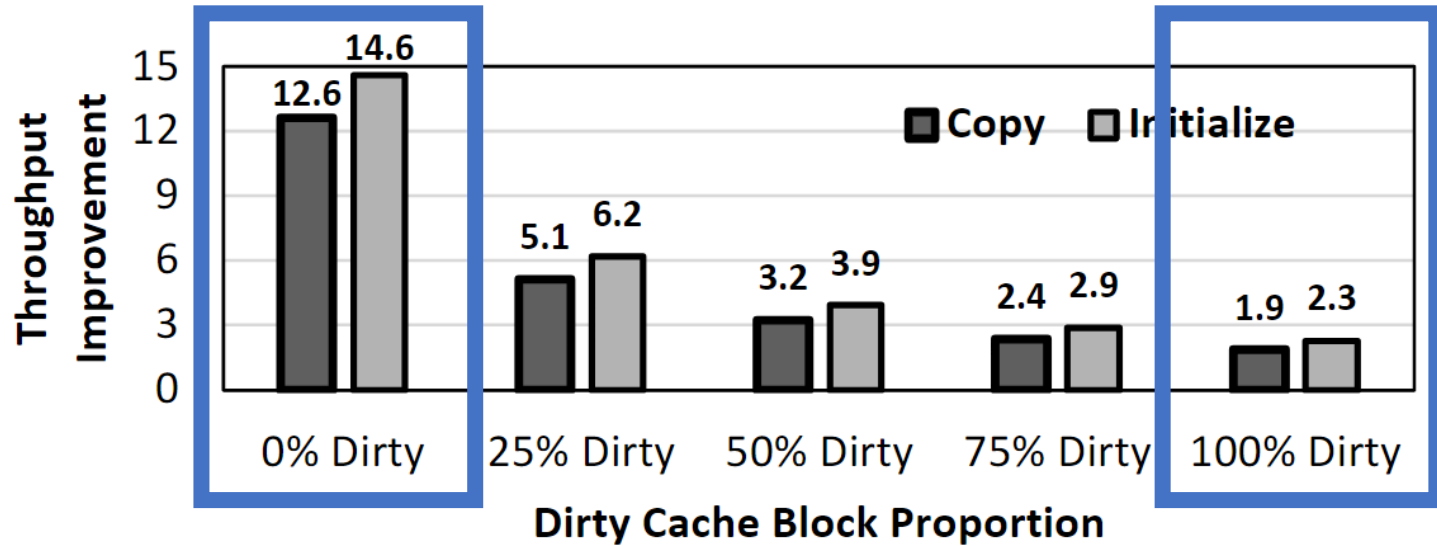
SPEC2006 libquantum: replace “calloc()” with in-DRAM initialization

Microbenchmark Copy/Initialization Throughput Improvement



In-DRAM Copy and Initialization
improve throughput by 119x and 89x, respectively

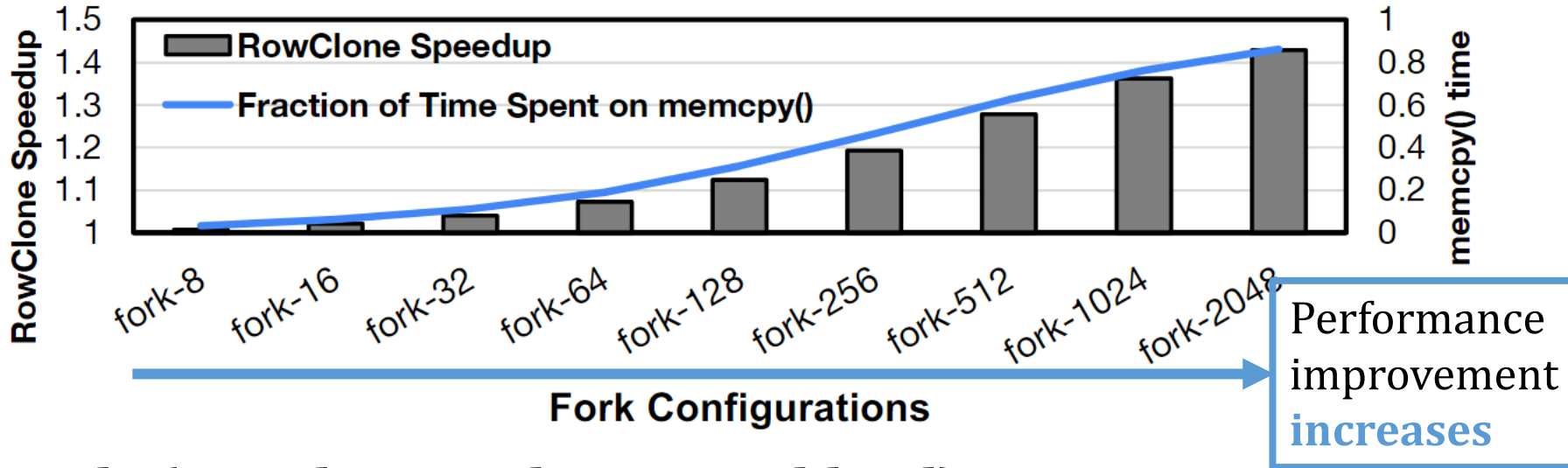
CLFLUSH Overhead



CLFLUSH dramatically reduces the potential throughput improvement

Other Workloads

forkbench (copy-heavy workload)



compile (initialization-heavy workload)

- 9% execution time reduction by in-DRAM initialization
 - 17% of compile's execution time is spent on initialization

SPEC2006 libquantum

- 1.3% end-to-end execution time reduction
 - 2.3% of libquantum's time is spent on initialization

Outline

Background

DRAM Organization and Operation

Commodity DRAM Based PiM Techniques

PiDRAM

Overview

Hardware & Software Components

FPGA Prototype

Case Studies

Case Study #1 – RowClone

Case Study #2 – D-RaNGe

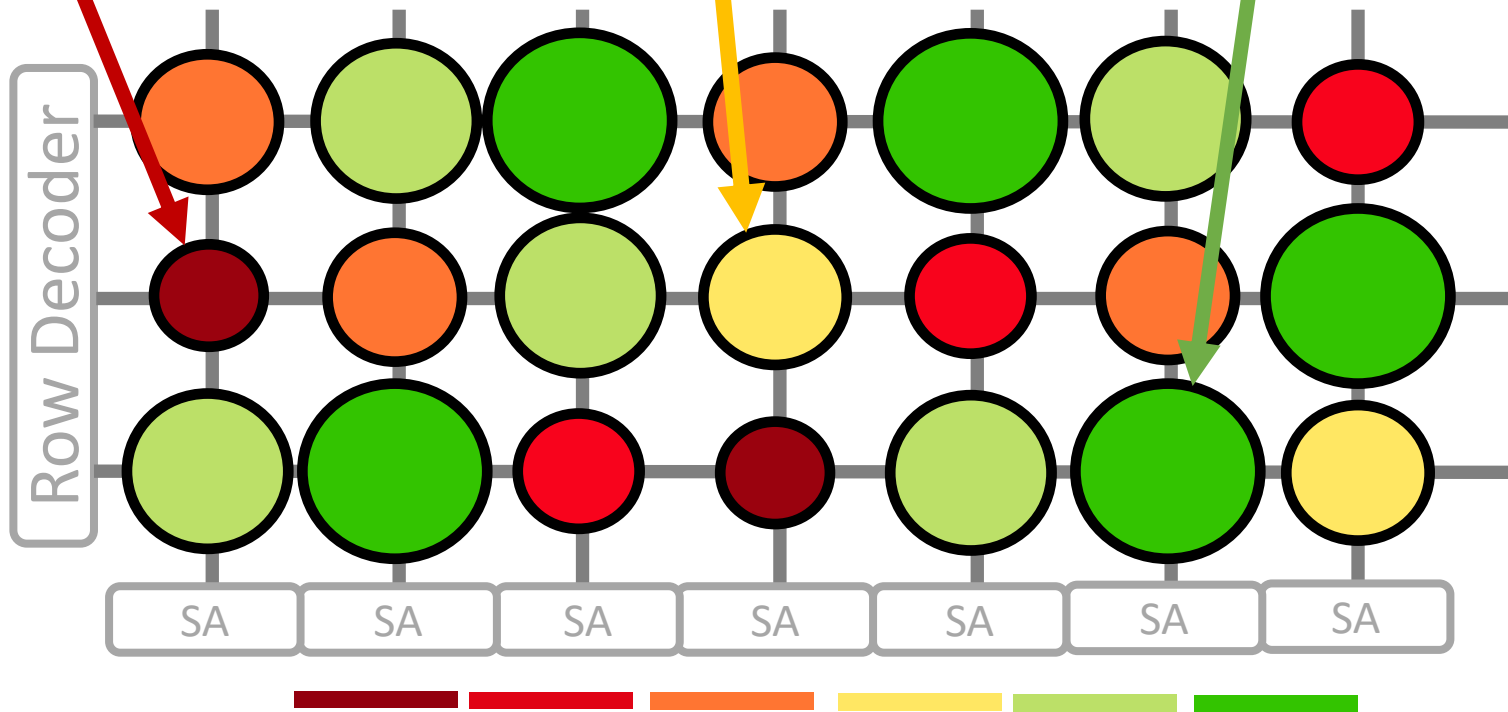
Conclusion

Recall: D-RaNGe Key Idea

High % chance to fail with reduced access latency

50% chance to fail

Low % chance to fail with reduced access latency

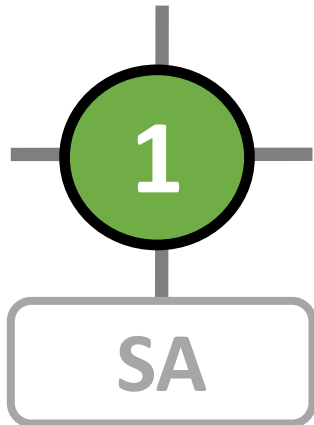


Commodity DRAM chips can *already* perform D-RaNGe

D-RaNGe Implementation

Identify **four DRAM cells** that fail randomly in a cache block

RNG Cell



D-RaNGe Implementation

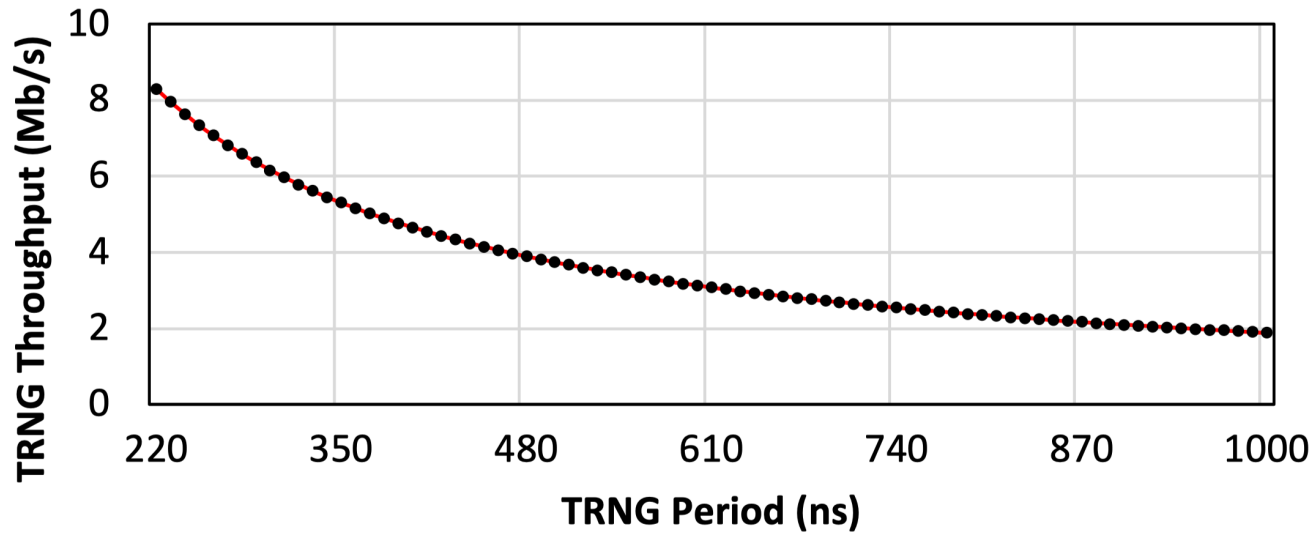
Periodically generate true random numbers by accessing the identified cache block

- **Reduce** access latency
- 1 KiB **random number buffer** in POC
- Programmers read random numbers from the *data register* using the **rand_dram()** function call

190 lines of Verilog code
74 lines of C++ code

Evaluation

Methodology: Microbenchmark that reads true random numbers



PiDRAM's D-RaNGe generates true random numbers at 8.30 Mb/s throughput

Outline

Background

- DRAM Organization and Operation

- Commodity DRAM Based PiM Techniques

PiDRAM

- Overview

- Hardware & Software Components

- FPGA Prototype

Case Studies

- Case Study #1 – RowClone

- Case Study #2 – D-RaNGe

Conclusion

Executive Summary

Motivation: Commodity DRAM based PiM techniques improve the performance and energy efficiency of computing systems at no additional DRAM hardware cost

Problem: Challenges of integrating these PiM techniques into real systems are not solved. General-purpose computing systems, special-purpose testing platforms, and system simulators *cannot* be used to efficiently study system integration challenges

Goal: Design and implement a flexible framework that can be used to:

- solve system integration challenges
- analyze trade-offs of end-to-end implementations of commodity DRAM-based-PiM techniques

Key idea: PiDRAM, an FPGA-based framework that enables:

- system integration studies
- end-to-end evaluations of PiM techniques using real unmodified DRAM chips

Evaluation: End-to-end integration of two PiM techniques on PiDRAM's FPGA prototype

Case Study #1 – RowClone: In-DRAM bulk data copy operations

- 119x speedup for copy operations compared to CPU-copy with system support
- 198 lines of Verilog and 565 lines of C++ code over PiDRAM's flexible codebase

Case Study #2 – D-RaNGe: DRAM-based random number generation technique

- 8.30 Mb/s true random number generator (TRNG) throughput, 220 ns TRNG latency
- 190 lines of Verilog and 74 lines of C++ code over PiDRAM's flexible codebase

PiDRAM is Open Source

<https://github.com/CMU-SAFARI/PiDRAM>

CMU-SAFARI / PiDRAM Public

Edit Pins

Watch 3

Fork 2

Star 21

Code Issues Pull requests Actions Projects Wiki Security Insights Settings

master

2 branches 0 tags

Go to file

Add file

Code

About



olgunataberk	Fix small mistake in README	46522cc on Dec 5, 2021	11 commits
controller-hardware	Add files via upload		7 months ago
fpga-zynq	Adds instructions to reproduce two key results		7 months ago
README.md	Fix small mistake in README		7 months ago

PiDRAM is the first flexible end-to-end framework that enables system integration studies and evaluation of real Processing-using-Memory techniques. Prototype on a RISC-V rocket chip system implemented on an FPGA. Described in our preprint:

<https://arxiv.org/abs/2111.00082>

README.md



PiDRAM

PiDRAM is the first flexible end-to-end framework that enables system integration studies and evaluation of real Processing-using-Memory (PuM) techniques. PiDRAM, at a high level, comprises a RISC-V system and a custom memory controller that can perform PuM operations in real DDR3 chips. This repository contains all sources required to build PiDRAM and develop its prototype on the Xilinx ZC706 FPGA boards.

Readme

21 stars

3 watching

2 forks

Releases

No releases published

[Create a new release](#)

Extended Version on ArXiv

<https://arxiv.org/abs/2111.00082>

arXiv > cs > arXiv:2111.00082

Search...

All fields

Search

[Help](#) | [Advanced Search](#)

Computer Science > Hardware Architecture

[Submitted on 29 Oct 2021 (v1), last revised 19 Dec 2021 (this version, v3)]

PiDRAM: A Holistic End-to-end FPGA-based Framework for Processing-in-DRAM

Ataberk Olgun, Juan Gómez Luna, Konstantinos Kanellopoulos, Behzad Salami, Hasan Hassan, Oğuz Ergin, Onur Mutlu

Processing-using-memory (PuM) techniques leverage the analog operation of memory cells to perform computation. Several recent works have demonstrated PuM techniques in off-the-shelf DRAM devices. Since DRAM is the dominant memory technology as main memory in current computing systems, these PuM techniques represent an opportunity for alleviating the data movement bottleneck at very low cost. However, system integration of PuM techniques imposes non-trivial challenges that are yet to be solved. Design space exploration of potential solutions to the PuM integration challenges requires appropriate tools to develop necessary hardware and software components. Unfortunately, current specialized DRAM-testing platforms, or system simulators do not provide the flexibility and/or the holistic system view that is necessary to deal with PuM integration challenges.

We design and develop PiDRAM, the first flexible end-to-end framework that enables system integration studies and evaluation of real PuM techniques. PiDRAM provides software and hardware components to rapidly integrate PuM techniques across the whole system software and hardware stack (e.g., necessary modifications in the operating system, memory controller). We implement PiDRAM on an FPGA-based platform along with an open-source RISC-V system. Using PiDRAM, we implement and evaluate two state-of-the-art PuM techniques: in-DRAM (i) copy and initialization, (ii) true random number generation. Our results show that the in-memory copy and initialization techniques can improve the performance of bulk copy operations by 12.6x and bulk initialization operations by 14.6x on a real system. Implementing the true random number generator requires only 190 lines of Verilog and 74 lines of C code using PiDRAM's software and hardware components.

Comments: 15 pages, 12 figures

Subjects: **Hardware Architecture (cs.AR)**

Cite as: [arXiv:2111.00082](https://arxiv.org/abs/2111.00082) [cs.AR]

(or [arXiv:2111.00082v3](https://arxiv.org/abs/2111.00082v3) [cs.AR] for this version)

<https://doi.org/10.48550/arXiv.2111.00082>

Download:

- [PDF](#)
- [Other formats](#)



Current browse context:

cs.AR

[< prev](#) | [next >](#)

[new](#) | [recent](#) | [2111](#)

Change to browse by:

[cs](#)

References & Citations

- [NASA ADS](#)
- [Google Scholar](#)
- [Semantic Scholar](#)

DBLP - CS Bibliography

[listing](#) | [bibtex](#)

[Juan Gómez-Luna](#)
[Behzad Salami](#)
[Hasan Hassan](#)
[Oguz Ergin](#)
[Onur Mutlu](#)

Export Bibtex Citation

Bookmark



Long Talk + Tutorial on Youtube

https://youtu.be/s_z_S6FYpC8

Alloc_align Example

```
A = alloc_align(16*1024, 0);    B = alloc_align(16*1024, 0);
```

Diagram illustrating memory allocation and alignment:

- Array A: 16 KBs, starting at 0x0000. The first 4 KB is highlighted in blue.
- Array B: 16 KBs, starting at 0x7000. The first 4 KB is highlighted in orange.
- Virtual Addresses: 0x0000, 0x1000, 0x2000, ..., 0x7000.
- Memory Banks: Row 1 and Row 0, Bank 0, Bank 1, Bank 2.

Zoom Meeting Controls: 33:19 / 1:33:40, SAFARI, 47 participants, Zoom logo.

Processing in Memory Course: Meeting 6: End-to-end Framework for Processing-using-Memory - Fall'21

615 views • Streamed live on 9 Nov 2021 • Project & Seminar, ETH Zürich, Fall 2021 Show more

👍 25 🗨 Dislike ➦ Share ⬇ Download ✂ Clip ⚙ Save ...

Onur Mutlu Lectures
25.7K subscribers

SUBSCRIBED



PiDRAM

An FPGA-based Framework for End-to-end Evaluation of Processing-in-DRAM Techniques

Ataberk Olgun

Juan Gomez Luna Konstantinos Kanellopoulos Behzad Salami

Hasan Hassan Oğuz Ergin Onur Mutlu

SAFARI

ETH zürich

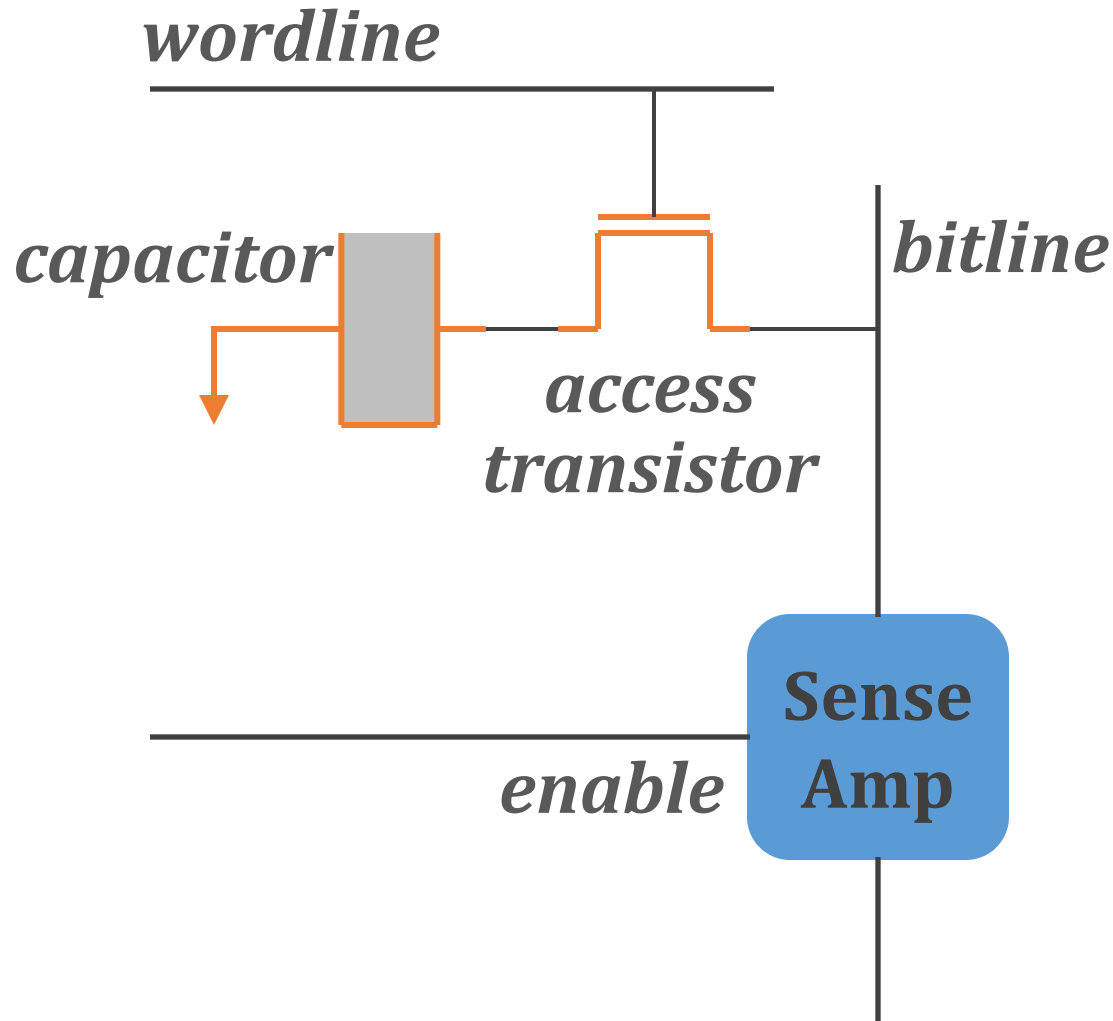
 **kasirga**



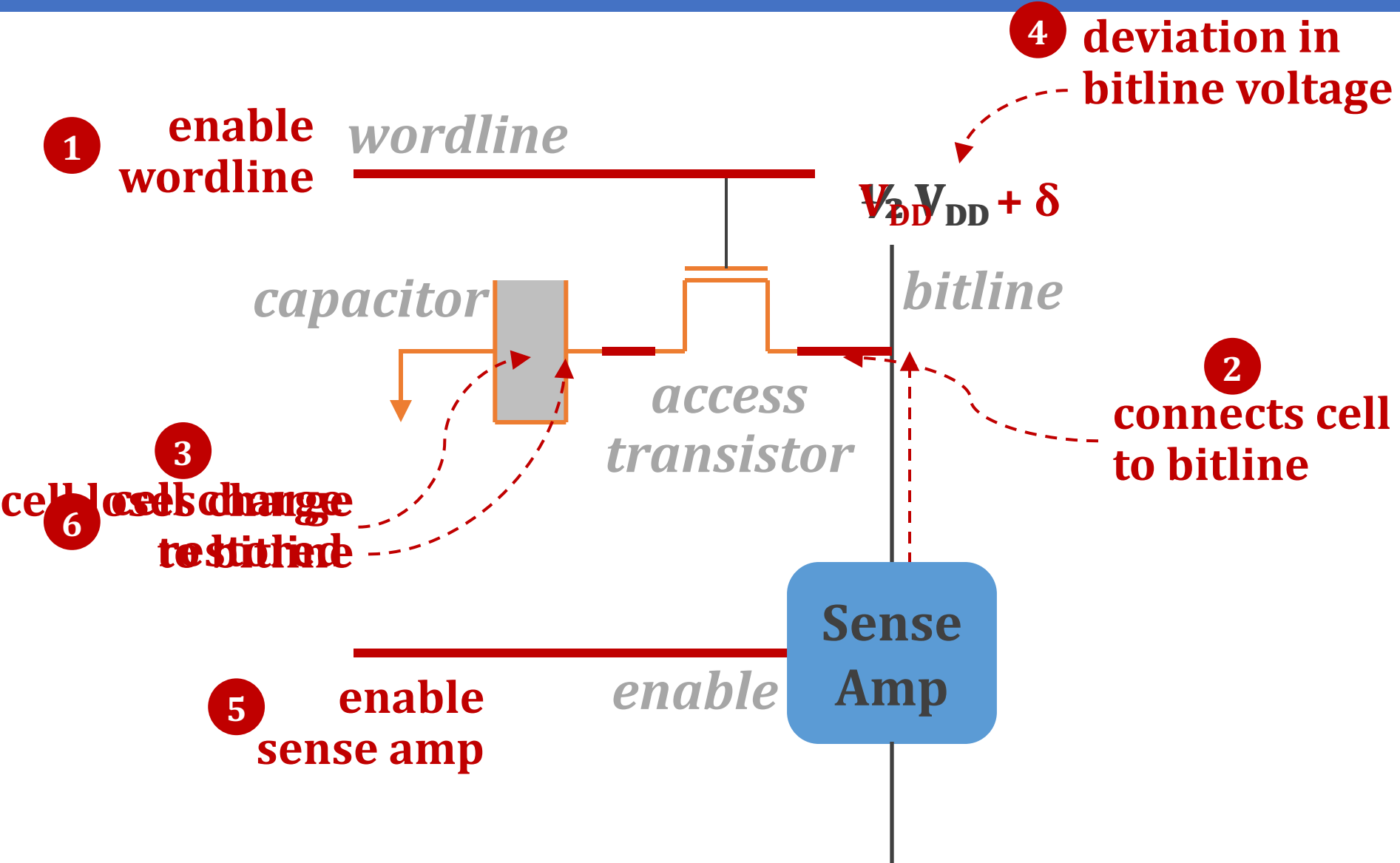
TOBB ETÜ
University of Economics & Technology

BACKUP SLIDES

Accessing a DRAM Cell

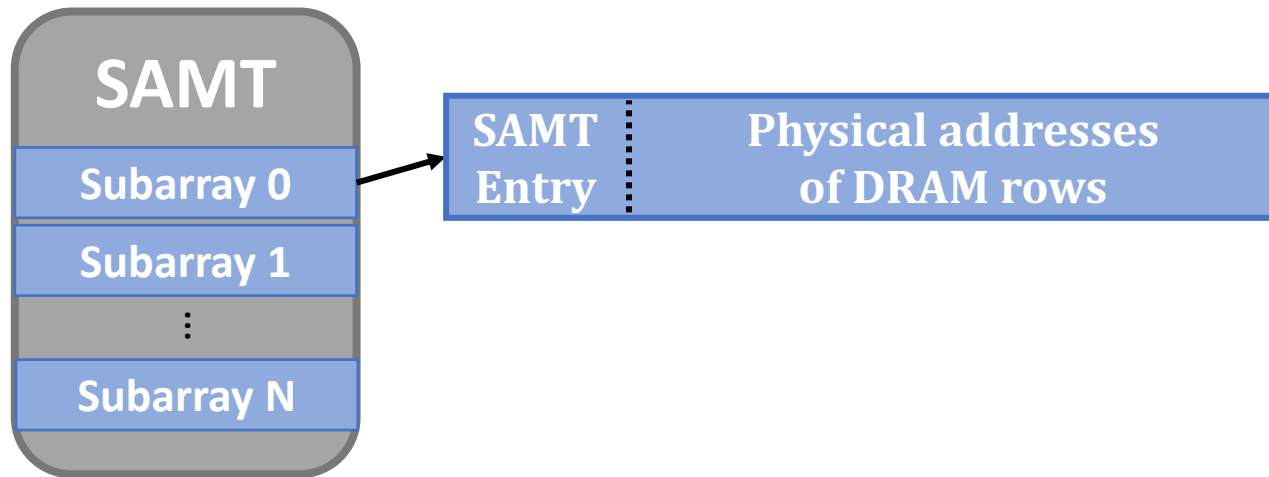


Accessing a DRAM Cell

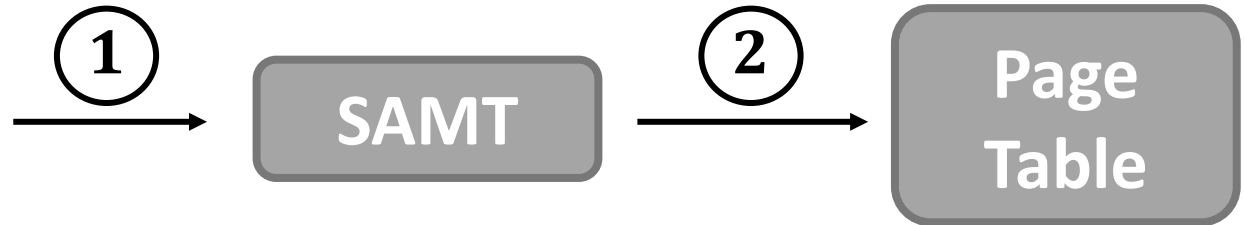


alloc_align() function

SubArray Mapping Table (SAMT) enables alloc_align()

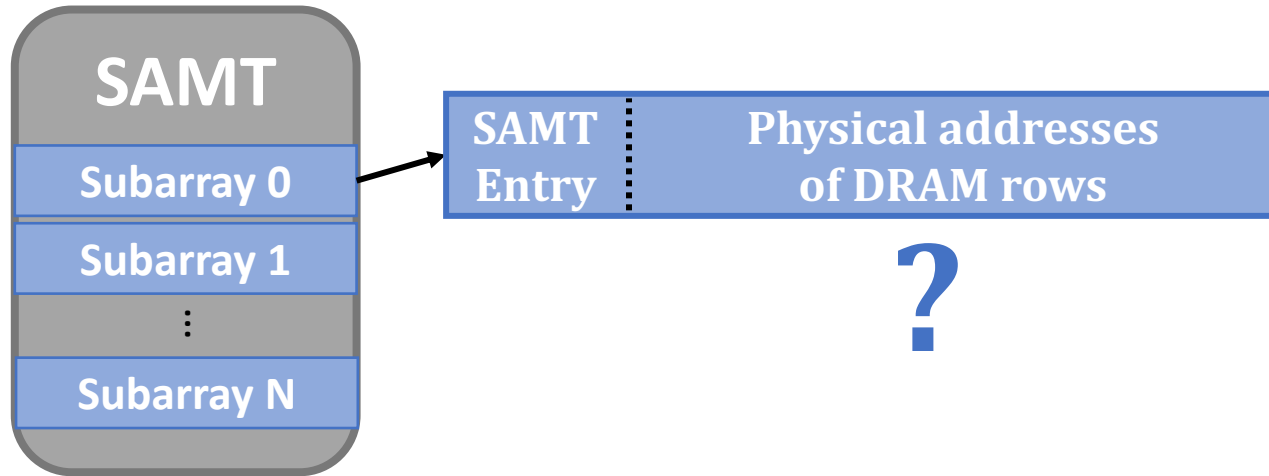


```
alloc_align(  
4 KiB,  
"Subarray 0")
```



- 1 Retrieve a physical address pointing to a DRAM row in subarray 0
- 2 Update the page table to map programmer-allocated address to subarray 0

Initializing SAMT



Perform in-DRAM copy using every DRAM row address as source and destination rows

If the in-DRAM copy operation succeeds source and destination rows are in the same subarray

2 Allocate 128 KiB A and B to same subarray

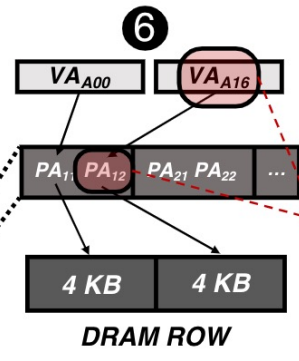
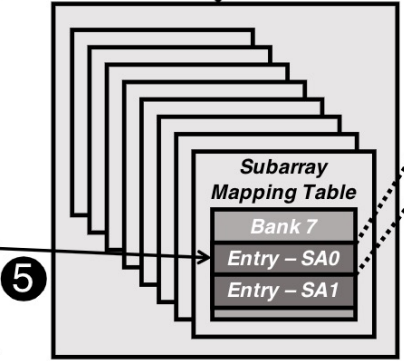
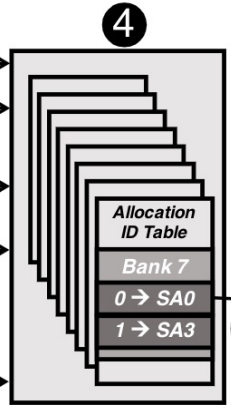
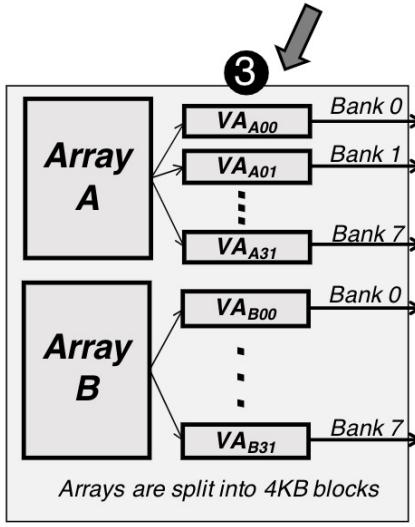
```
A = alloc_align(128*1024, 0);
B = alloc_align(128*1024, 0);
```

1 Characterize RowClone Success Rate

Initialize Subarray Mapping Table

8 Copy 128 KiBs from A to B

```
rcc(A, B, 128*1024);
```



Access page table to find source and destination DRAM rows

7 Page Table

Virt. Addr.	Physical Address
VA _{A00}	B0 SA0 ROW0
VA _{A01}	B1 SA0 ROW0
VA _{A02}	B2 SA0 ROW0
VA _{A16}	B0 SA0 ROW0
VA _{A17}	B1 SA0 ROW0
VA _{B00}	B0 SA0 ROW4
VA _{B01}	B1 SA0 ROW4

Consecutive blocks are assigned to DRAM rows in different DRAM banks

Table 1: PuM techniques that can be studied using PiDRAM. PuM techniques that we implement in this work are highlighted in bold

PuM Technique	Description	Integration Challenges
RowClone [91]	Bulk data-copy and initialization within DRAM	(i) <i>memory allocation and alignment mechanisms</i> that map source & destination operands of a copy operation into same DRAM subarray; (ii) <i>memory coherence</i> , i.e., source & destination operands must be up-to-date in DRAM.
D-RaNGe [62]	True random number generation using DRAM	(i) periodic generation of true random numbers; (ii) <i>memory scheduling policies</i> that minimize the interference caused by random number requests.
Ambit [89]	Bitwise operations in DRAM	(i) <i>memory allocation and alignment mechanisms</i> that map operands of a bitwise operation into same DRAM subarray; (ii) <i>memory coherence</i> , i.e., operands of the bitwise operations must be up-to-date in DRAM.
SIMDRAM [43]	Arithmetic operations in DRAM	(i) <i>memory allocation and alignment mechanisms</i> that map operands of an arithmetic operation into same DRAM subarray; (ii) <i>memory coherence</i> , i.e., operands of the arithmetic operations must be up-to-date in DRAM; (iii) <i>bit transposition</i> , i.e., operand bits must be laid out vertically in a single DRAM bitline.
DL-PUF [61]	Physical unclonable functions in DRAM	<i>memory scheduling policies</i> that minimize the interference caused by generating PUF responses.
QUAC-TRNG [82]	True random number generation using DRAM	(i) periodic generation of true random numbers; (ii) <i>memory scheduling policies</i> that minimize the interference caused by random number requests; (iii) efficient integration of the SHA-256 cryptographic hash function.

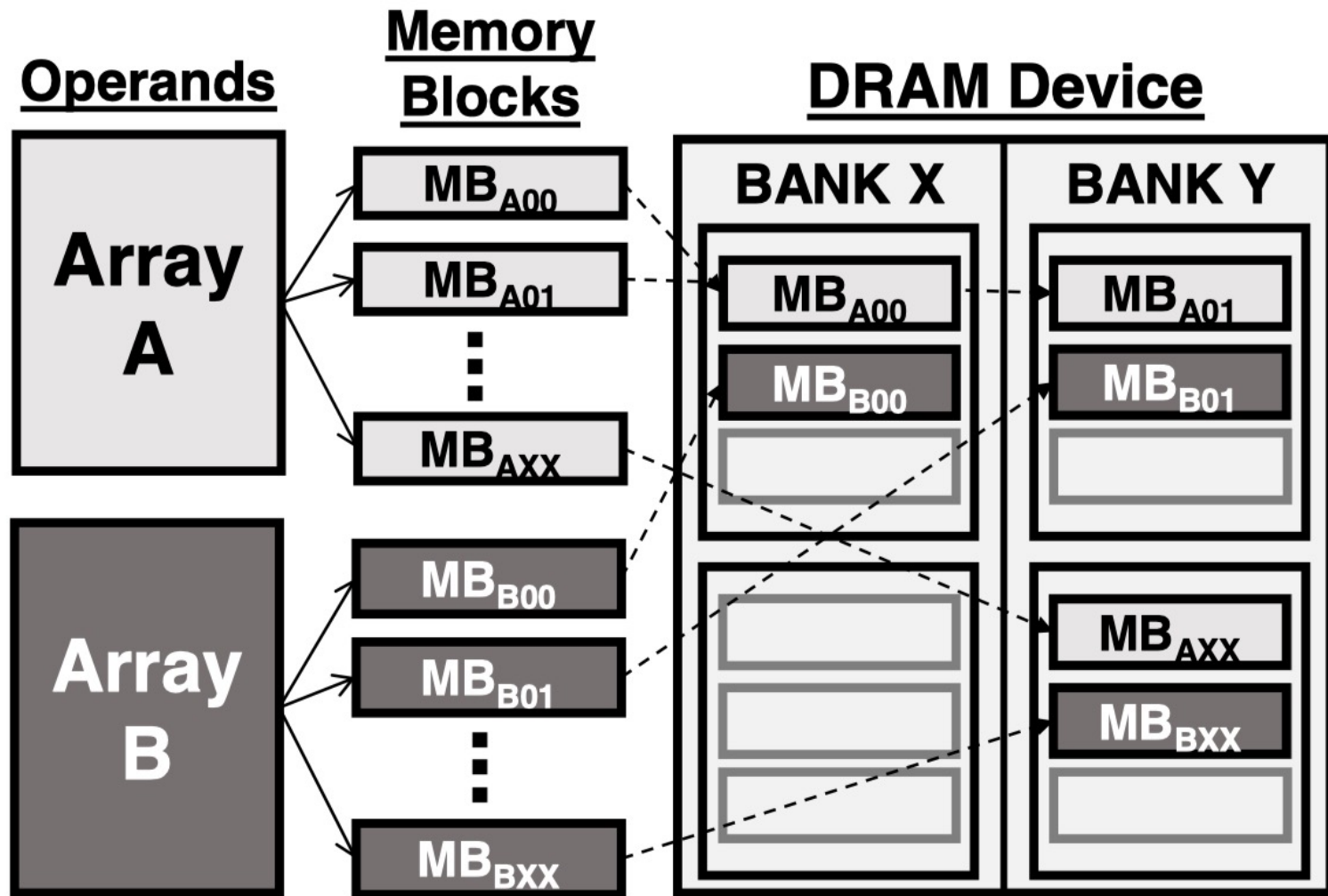


Figure 6: Overview of our memory allocation mechanism

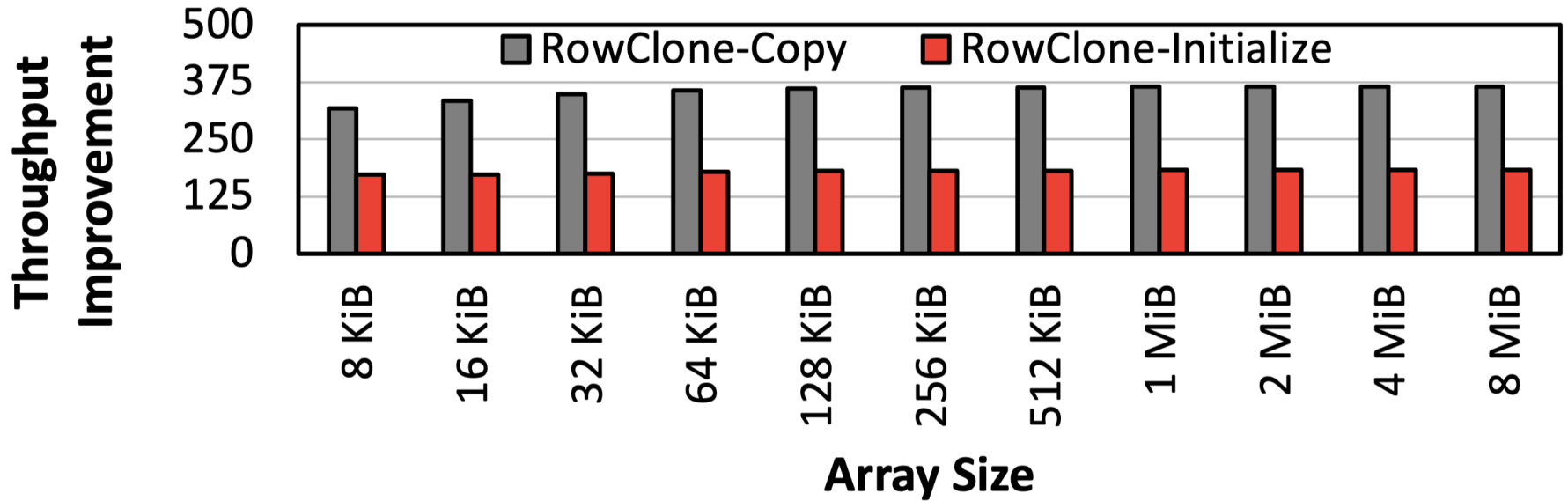
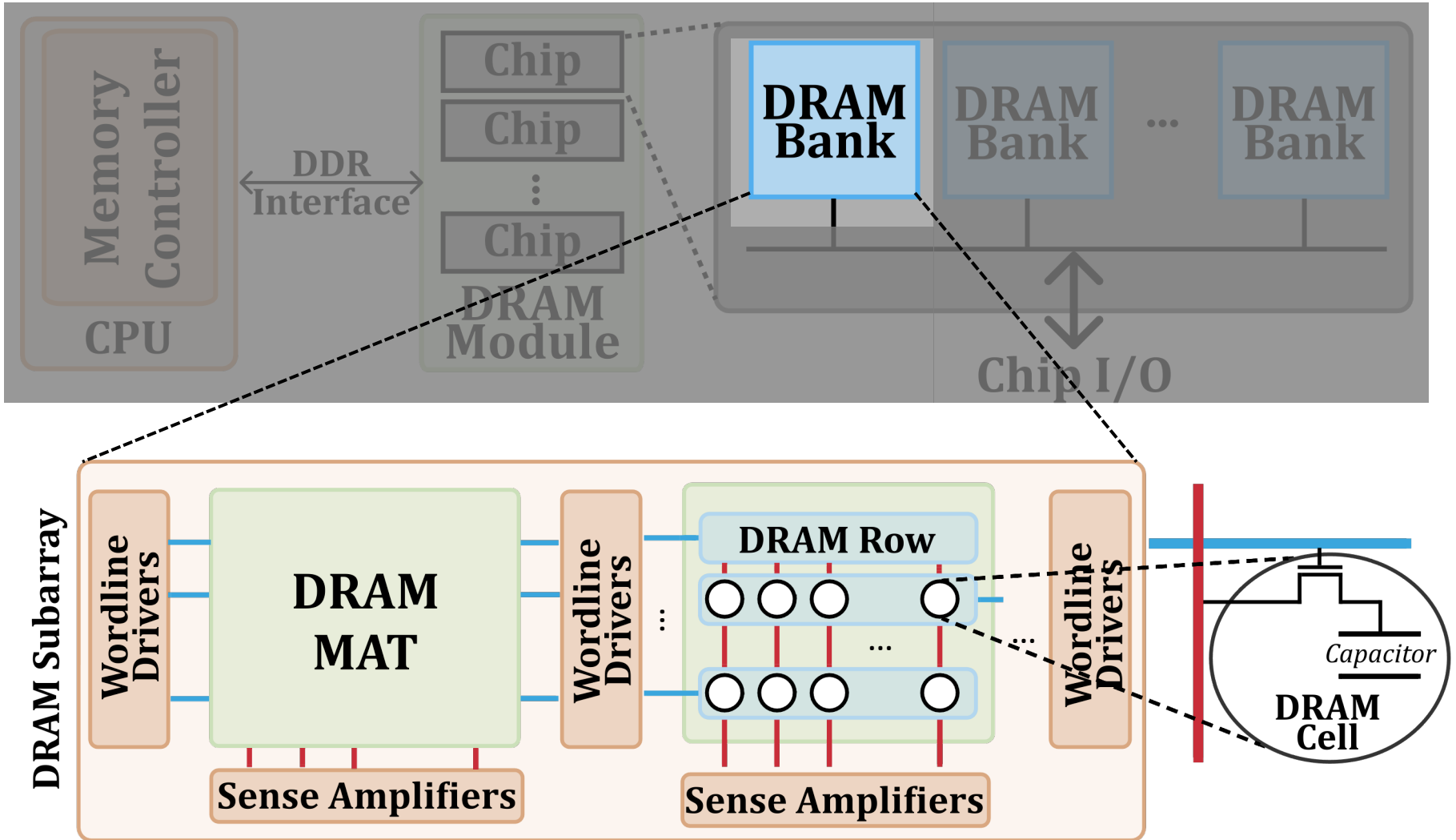


Figure 9: RowClone-Copy and RowClone-Initialize over traditional CPU-copy and -initialization for the Bare-Metal configuration

Table 4: Comparison of PiDRAM with related state-of-the-art prototyping and evaluation platforms

Platforms	Interface with real DRAM chips	Flexible MC for PuM	System software support	Open-source
Silent-PIM [78]	X	X	✓	X
SoftMC [60]	✓(DDR3)	X	X	✓
ComputeDRAM [44]	✓(DDR3)	X	X	X
MEG [174]	✓(HBM)	X	✓	✓
PiMulator [119]	X	✓	X	✓
Commercial platforms (e.g., ZYNQ [166])	✓(DDR3/4)	X	✓	X
Simulators [18, 35, 90, 132, 140, 169, 170, 175]	X	✓	✓(potentially)	✓
PiDRAM (this work)	✓(DDR3)	✓	✓	✓

DRAM Organization



DRAM Operation

